



*Innovation in Mobility*

**INSTALLATION INSTRUCTIONS  
INSTALLATION KIT(S) #13661, #16093, #16094, #16095  
IRS CABLE ASSEMBLY REPLACEMENT, S-SERIES**

- Be certain that these supplemental instructions are read and understood completely before installation is attempted. You should also refer to the Service/Owner Manual for additional installation instructions and safety precautions.
- Check contents of this documentation package and notify Ricon immediately of any missing items. Claims for damages that have occurred during shipping must be made to the shipper.

<b>TABLE OF CONTENTS</b>	<b>PAGE</b>
I. INTRODUCTION .....	1
II. INSTALLATION .....	1

**I. INTRODUCTION**

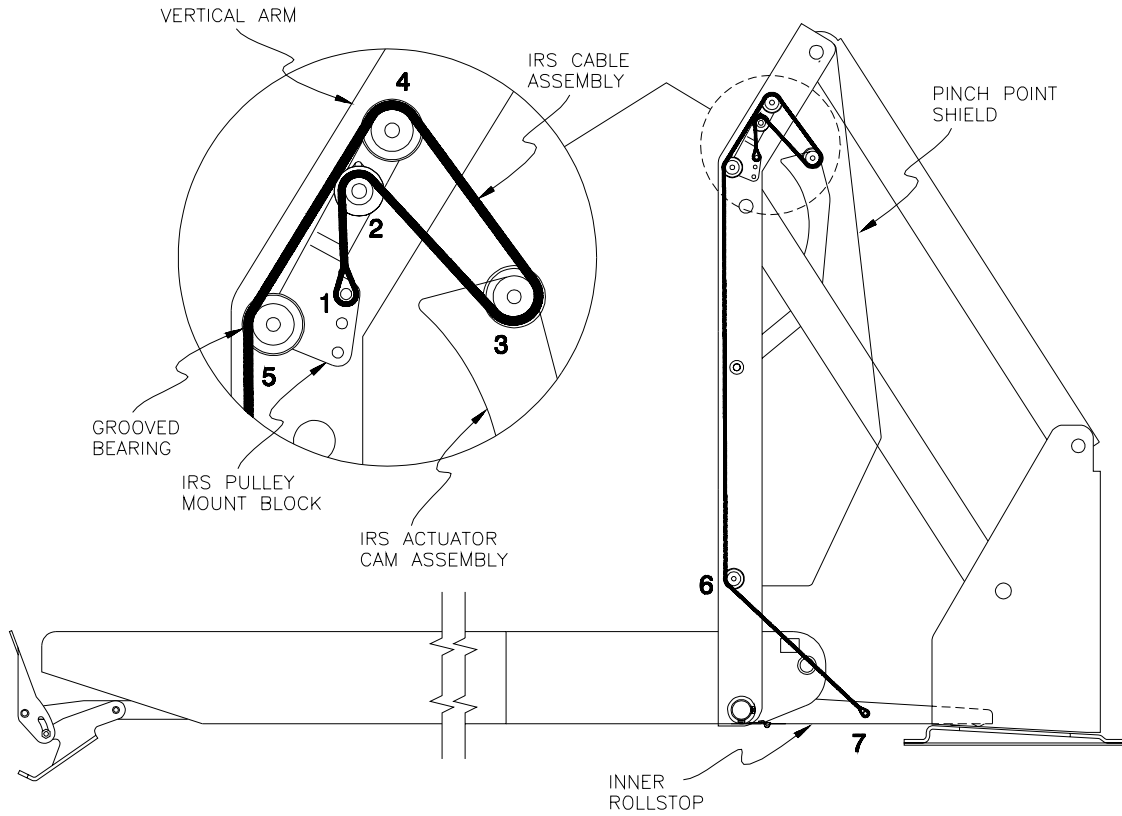
The following pages contain installation instructions for replacing the IRS Cable Assembly. Please follow these instructions carefully and do not cut any corners, eliminate any steps, or modify the equipment. Call our service department if you need assistance.

**II. INSTALLATION**

**IRS CABLE ASSEMBLY REPLACEMENT (REFER FIGURE [1]):**

- A. Deploy the lift platform to the vehicle floor level. Be certain that bridgeplate has lowered to a horizontal position against the baseplate assembly.
- B. Remove pinch point shields from the lift's left and right vertical arm assemblies.
- C. Assemble and secure one end of each IRS cable assembly to the IRS pulley mount block (#1) located inside the left/right vertical arm assemblies using a hex-bolt, bushing, and washer.
- D. Route each cable assembly around the IRS pulley mount block bushing (#2). Be certain that cable is routed between the bushing tab and where the bottom of the cable actually makes contact with the bushing. Install washer and hex-nut over bushing and cable assembly.
- E. Continue to route each cable assembly around grooved bearings #3, #4 and #5.
- F. Route each cable assembly down the length of each vertical arm assembly and around grooved bearing #6.
- G. Assemble and secure the opposite end of each IRS cable assembly to the left/right sides of the inner rollstop (#7) using a hex-bolt, washer, bushing, and hex-nut. Be sure to install hex-nut on the inside of the inner rollstop.

H. Reinstall pinch point shields removed in step 2.



**FIGURE [1]: IRS CABLE ASSEMBLY ROUTING**