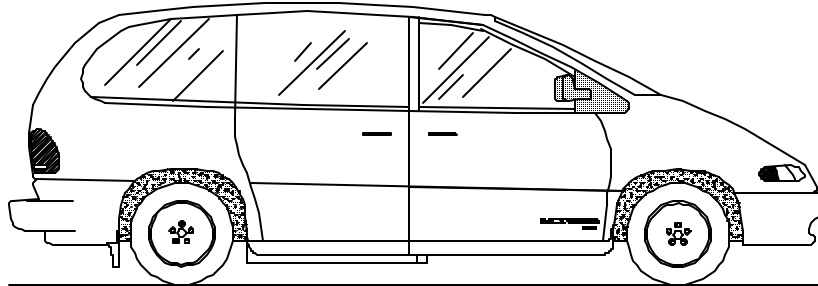


## VI. PARTS DIAGRAMS AND LISTS

This chapter contains parts diagrams and lists for the RICON *Activan*®. The parts diagrams are exploded 3D views of major conversion assemblies with individual components referenced by numbers. Accompanying parts lists contain part reference numbers, descriptions, quantities used and Ricon part numbers. To order a part, locate the part on appropriate drawing, note its reference number, find this number on the parts list and use the part number in the far right column. This chapter does not cover vehicle manufacturer's parts. For information regarding non-Ricon parts, contact vehicle manufacturer.

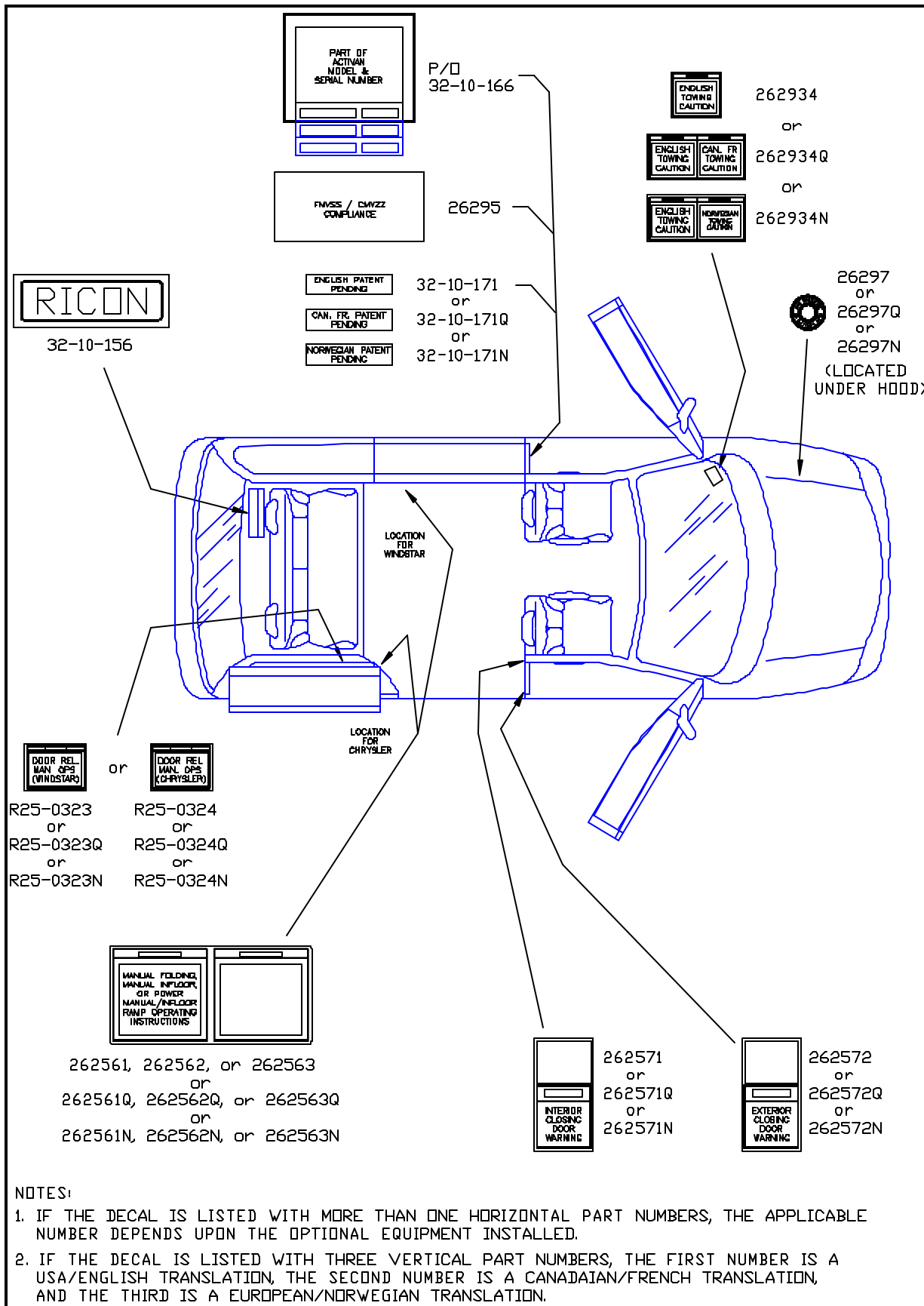
The *Activan* vehicle production date is located on driver's door B-pillar. This section applies to vehicles with production dates from 08/25/97 onward. For vehicles with production dates prior to 08/25/97, refer to **Appendix 1** of this manual.



### PARTS DIAGRAMS

### PAGE

FIGURE [6-1A]:	DECAL LOCATIONS AND PART NUMBERS (SHEET 1 OF 3) .....	6-2
FIGURE [6-1B]:	DECAL LOCATIONS AND PART NUMBERS (SHEET 2 OF 3) .....	6-3
FIGURE [6-1C]:	DECAL LOCATIONS AND PART NUMBERS (SHEET 3 OF 3) .....	6-3
FIGURE [6-2]:	MAJOR ELECTRICAL COMPONENTS .....	6-4
FIGURE [6-3]:	AIR SUSPENSION COMPONENTS .....	6-5
FIGURE [6-4]:	FIXED FRONT SEATBASE .....	6-6
FIGURE [6-5]:	REMOVABLE FRONT SEATBASE .....	6-6
FIGURE [6-6]:	OPTIONAL SIX-WAY POWER SEATBASE .....	6-7
FIGURE [6-7]:	MANUAL FOLDING RAMP ASSEMBLY .....	6-8
FIGURE [6-8]:	OPTIONAL POWER FOLDING RAMP ASSEMBLY .....	6-9
FIGURE [6-9]:	POWER PARKING BRAKE ASSEMBLY .....	6-10
FIGURE [6-10]:	RAMP TENSIONER BRACKET ASSEMBLY .....	6-11
FIGURE [6-11]:	RAMP VERTICAL MOUNT BRACKET ASSEMBLY .....	6-12
FIGURE [6-12]:	CHRYSLER STEALTH RAMP ENCLOSURE .....	6-13
FIGURE [6-13]:	CHRYSLER STEALTH RAMP DRIVE SYSTEM .....	6-14
FIGURE [6-14]:	CHRYSLER STEALTH RAMP TRAVELING FRAME .....	6-15
FIGURE [6-15]:	FORD STEALTH RAMP ENCLOSURE .....	6-16
FIGURE [6-16]:	FORD STEALTH RAMP DRIVE SYSTEM .....	6-17
FIGURE [6-17]:	FORD STEALTH RAMP TRAVELING FRAME .....	6-18
FIGURE [6-18]:	CHRYSLER CABLE DOOR OPERATOR .....	6-19
FIGURE [6-19]:	REMOVABLE MIDDLE SEATBASE .....	6-20
FIGURE [6-20]:	REMOVABLE REAR SEATBASE .....	6-20
FIGURE [6-21]:	UPRIGHT SPARE TIRE MOUNT AND STORAGE BIN .....	6-21
FIGURE [6-22]:	OPTIONAL LAYDOWN SPARE TIRE ASSEMBLY .....	6-21
FIGURE [6-23]:	FOOTRESTS .....	6-22
FIGURE [6-24]:	CARGO AREA COMPONENTS .....	6-22
FIGURE [6-25]:	KIT, BODY FLARES, DRIVER & PASSENGER, CHRYSLER .....	6-22



**FIGURE [6-1A]: DECAL LOCATIONS AND PART NUMBERS (SHEET 1 OF 3)**

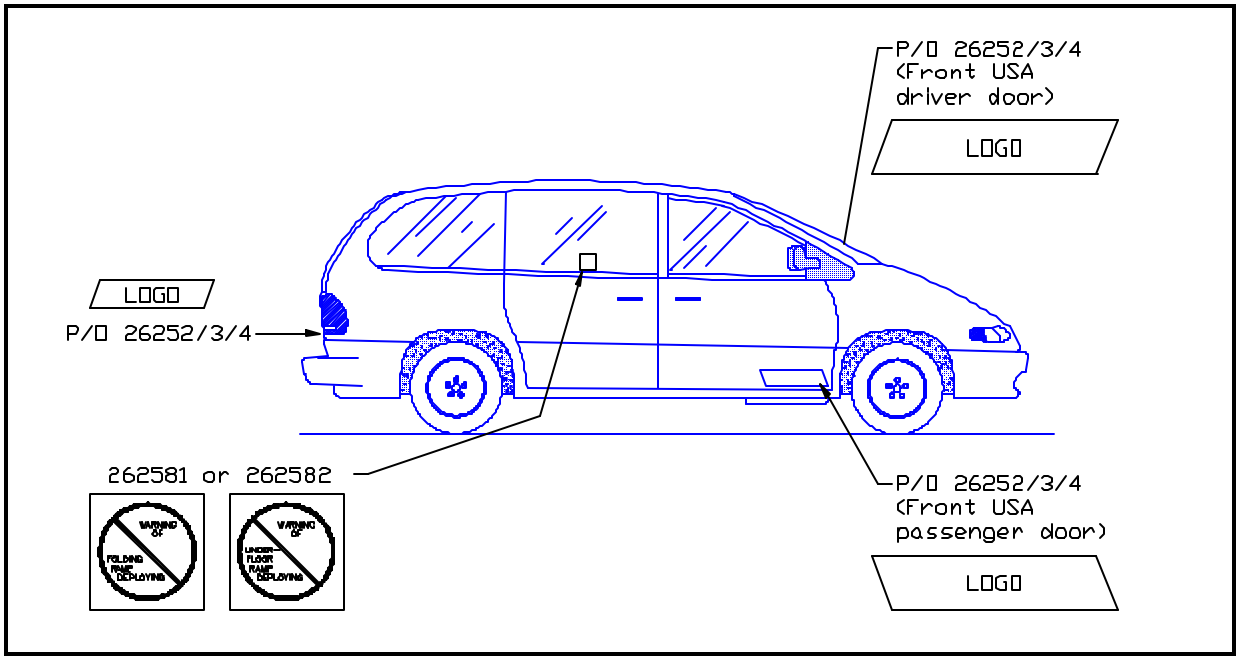


FIGURE [6-1B]: DECAL LOCATIONS AND PART NUMBERS (SHEET 2 OF 3)

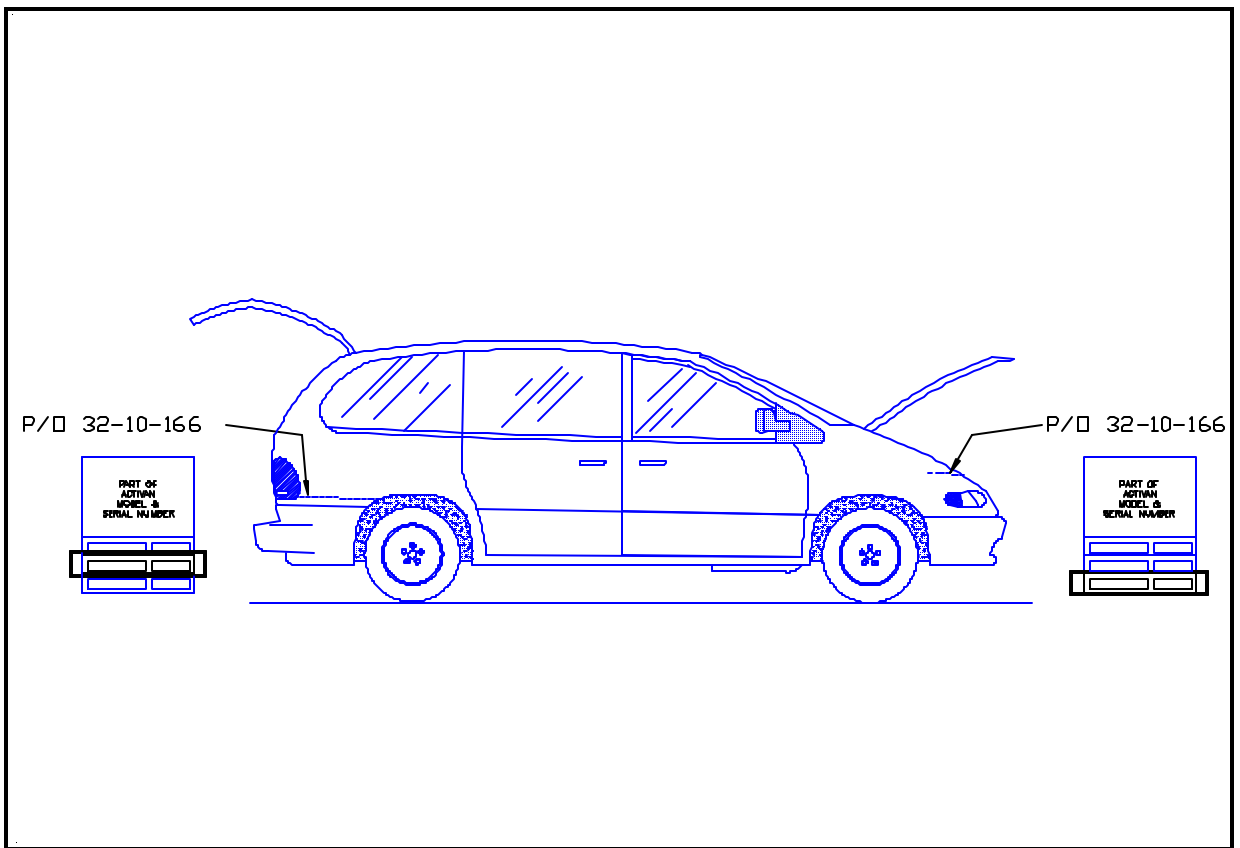


FIGURE [6-1C]: DECAL LOCATIONS AND PART NUMBERS (SHEET 3 OF 3)

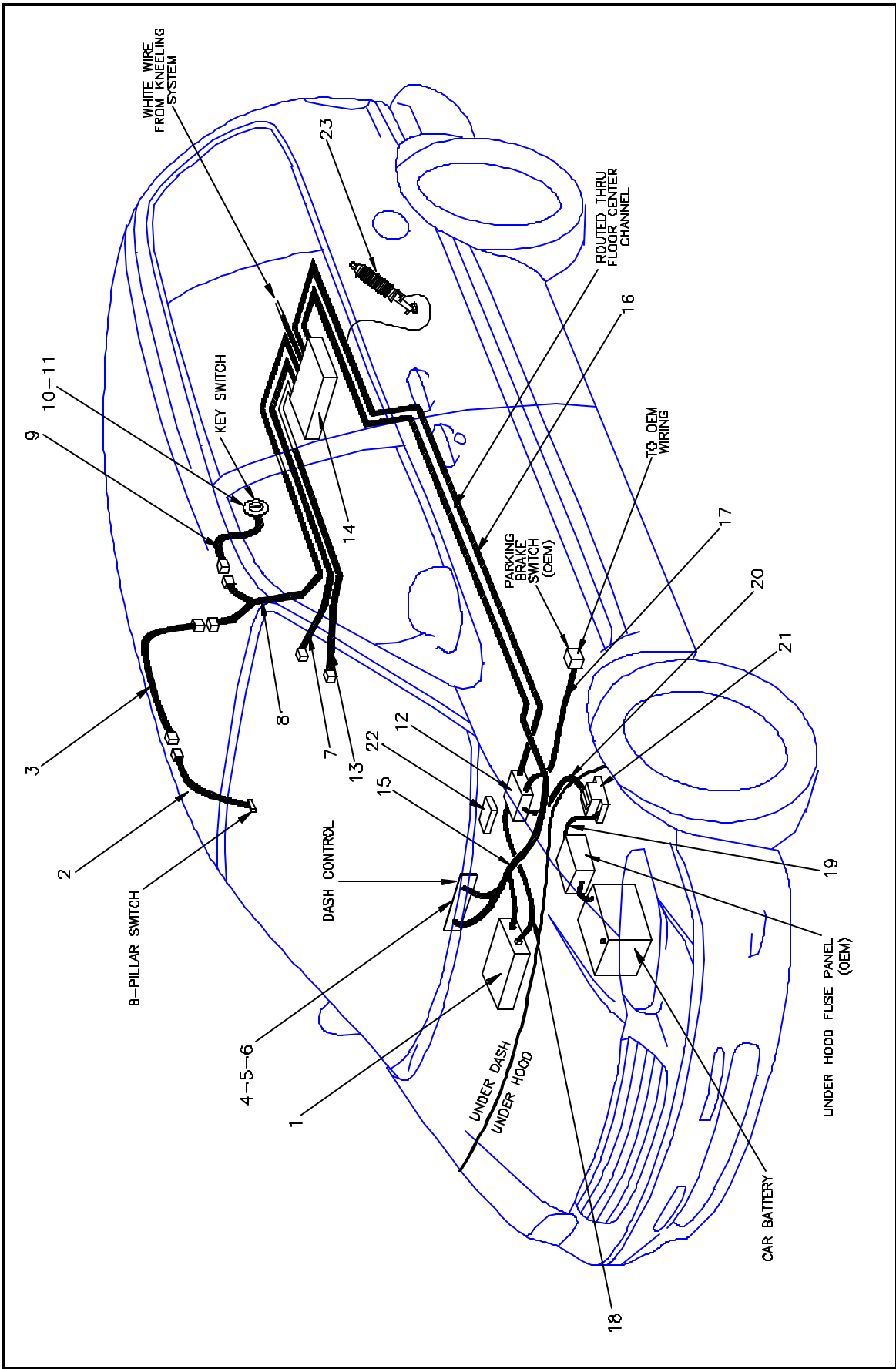
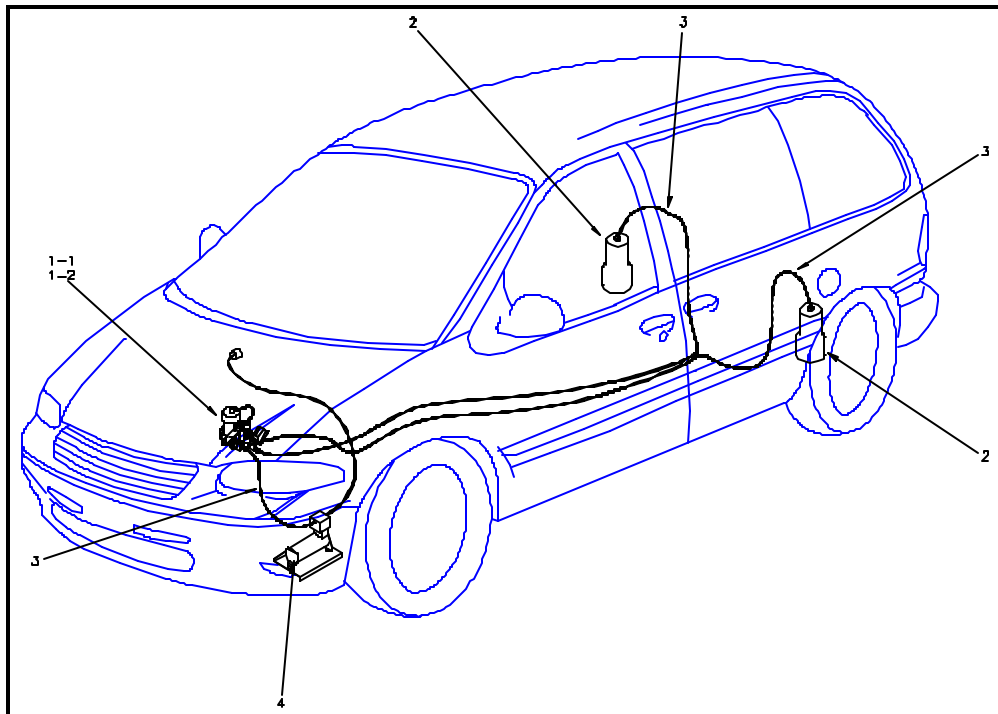


FIGURE [6-2]: MAJOR ELECTRICAL COMPONENTS

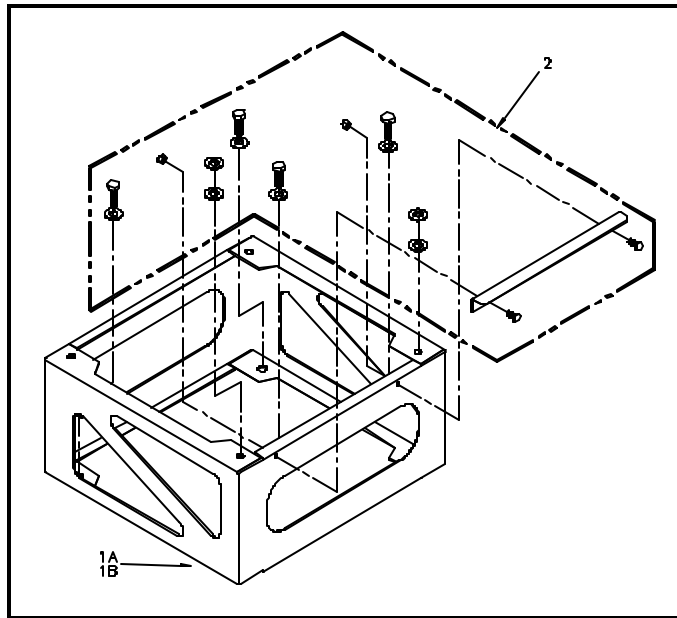
## MAJOR ELECTRICAL COMPONENTS

REF.	DESCRIPTION	QTY.	PART NO.
1	REMOTE RECEIVER	1	CTL-RR
2	HARNESS, B-PILLAR SWITCH	1	NS5539
3	HARNESS, EXT., B-PILLAR	1	NS5540
4	KNEEL PLATE	1	10950
5	FUNCTION PLATE	1	10951
6	DOUBLE PLATE	1	10952
7	HARNESS, EXT., B-PILLAR	1	NS5481
8	HARNESS, CNTL., B-PILLAR	1	NS5487
9	HARNESS, EXT., B-PILLAR	1	NS5513
10	KEY SWITCH	1	26423
11	TOGGLE SWITCH	1	26411
12	DISTRIBUTION BLOCK	1	11593
13	HARNESS, EXT., RAMP	1	NS5480
14	LEVELING CONTROLLER	1	11588
15	HARNESS, CNTL	1	NS5512
16	HARNESS, PWR.,INTLK.,CNTLR	1	NS5546
17	HARNESS, PWR., INTLK.,RCVR	1	10328
18	JUMPER, BREAKER, PWR.,DIST	1	NS5477
19	JUMPER ,BATTERY TO BREAKER	1	NS5478
20	HARNESS, PWR. RECEIVER	1	NS5547
21	50 AMP. BREAKER	1	265124
22	CONTROLLER, KNEELING MODULE	1	260024
23	SENSOR, HEIGHT	1	NS5304



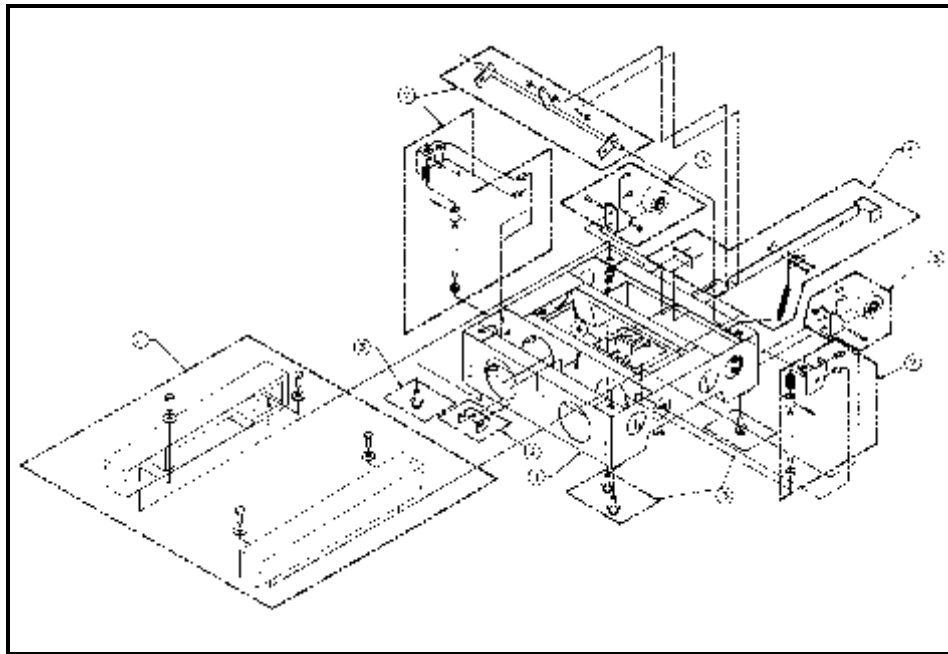
**FIGURE [6-3]: AIR SUSPENSION COMPONENTS**

REF.	DESCRIPTION	QTY.	PART NO.
1-1	AIR MODULE ASSY; CARAVAN	1	11825
1-2	AIR MODULE ASSY; WINDSTAR	1	11974
2	AIRBAG-ASSY,AIR SUSPENSION	1	NS5303
3	HOSE-1/4 OD, SAE J844 TYPE A	1	23020
4-1	PUMP ASSY, AIR SUSPENSION; CARAVAN	1	11830
4-2	PUMP ASSY, AIR SUSPENSION; WINDSTAR	1	11975



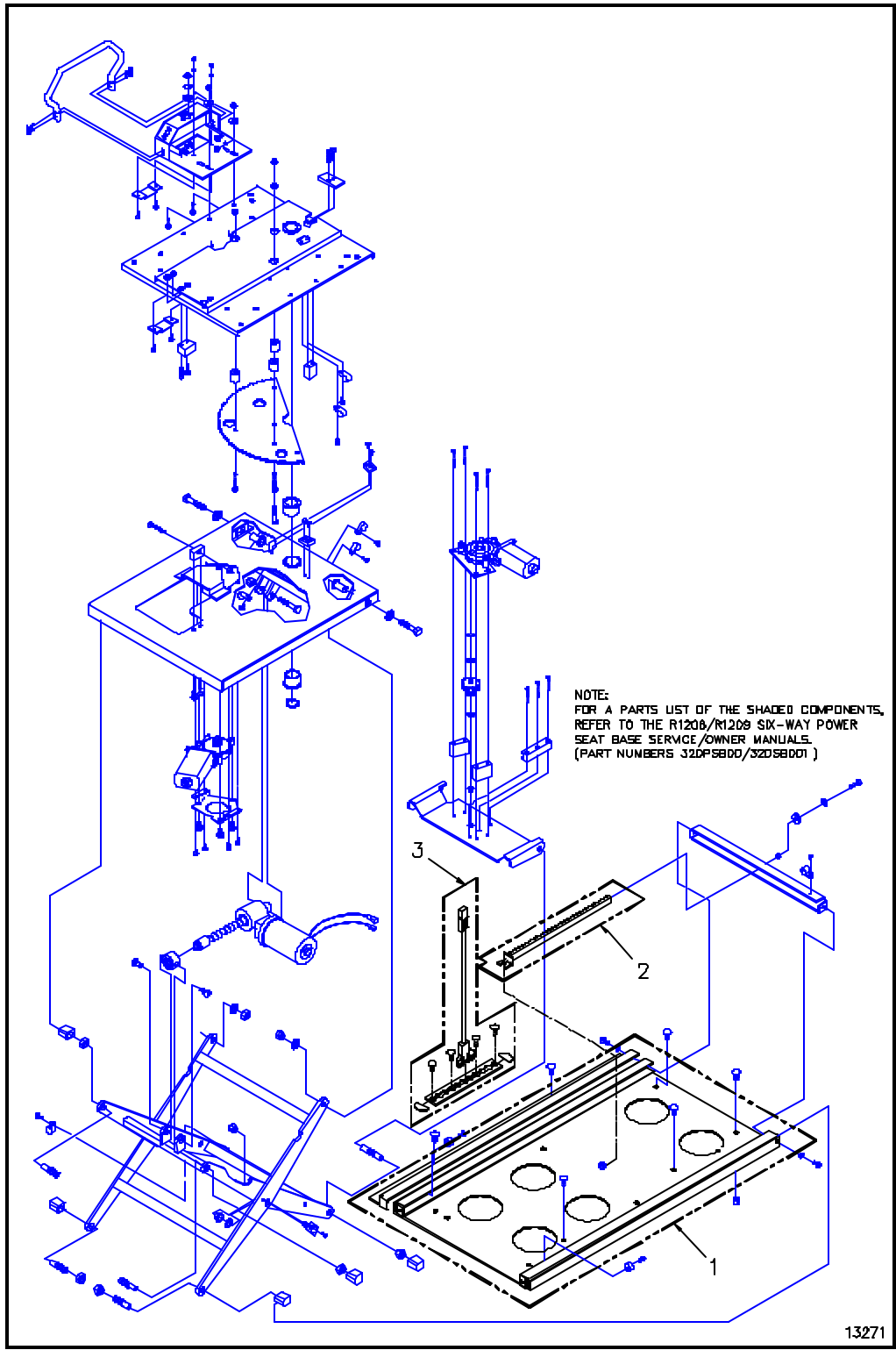
**FIGURE [6-4]: FIXED FRONT SEATBASE**

REF.	DESCRIPTION	QTY.	PART NO.
1A	BRACKET WLDT, FRONT DRIVER SIDE SEATBASE (CHRYSLER)	1	10283
1B	BRACKET WLDT, FRONT DRIVER SIDE SEATBASE (FORD)	1	10496
2	KIT HARDWARE FIXED SEATBASE	1	13270



**FIGURE [6-5]: REMOVABLE FRONT SEATBASE**

REF.	DESCRIPTION	QTY.	PART NO.
1	FRAME WLDT, SEATBASE	1	NS5621
2	KIT SHAFT WLDT SEATBASE	1	13266
3	KIT WHEEL 2" PLASTIC	1	13265
4	KIT PLATE HANDLE	1	13267
5	KIT ADAPTERS SEATBASE	1	13268
6	KIT RESTRAINT ATTACHMENTS	1	13272

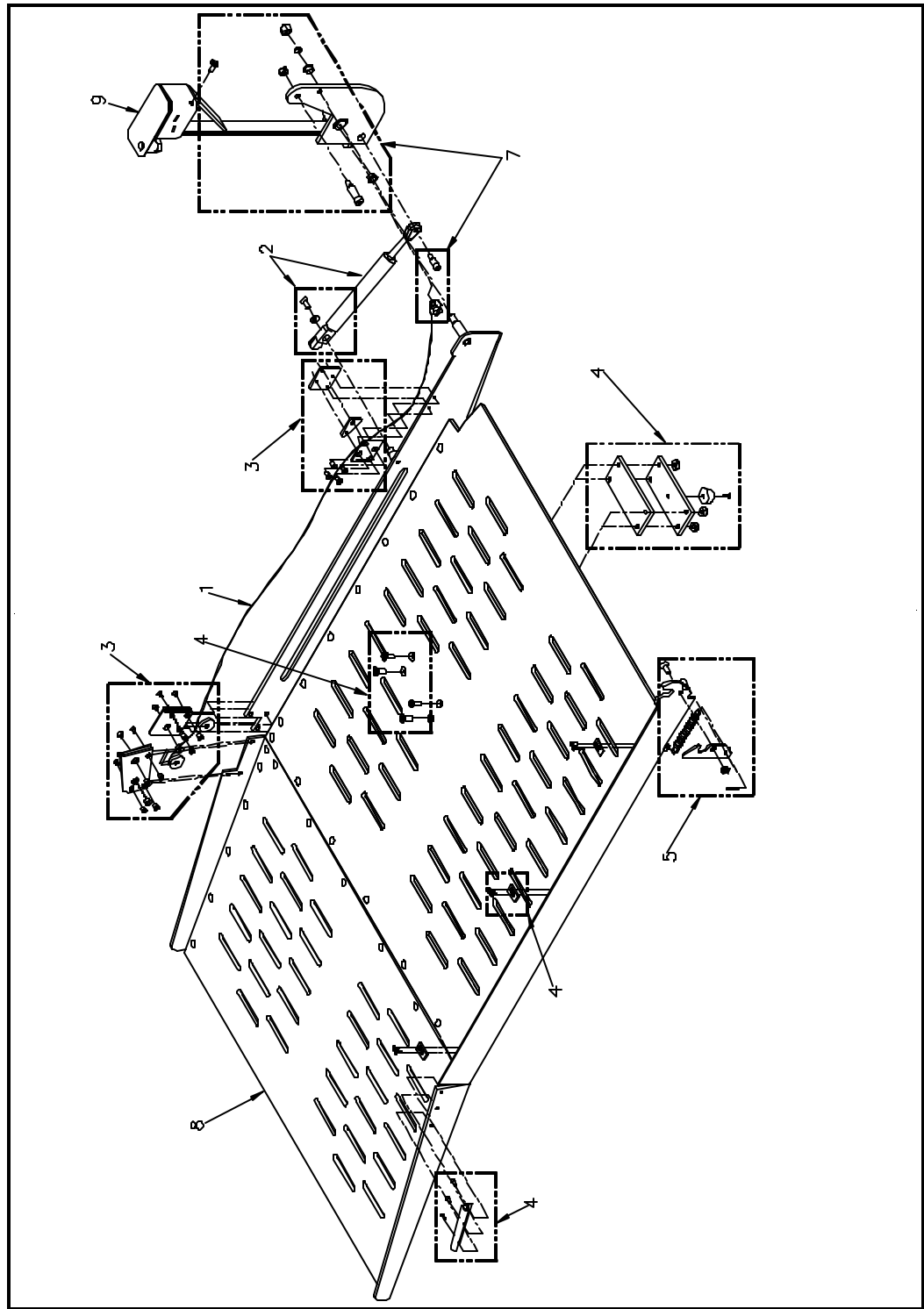


13271

FIGURE [6-6]: OPTIONAL SIX-WAY POWER SEATBASE

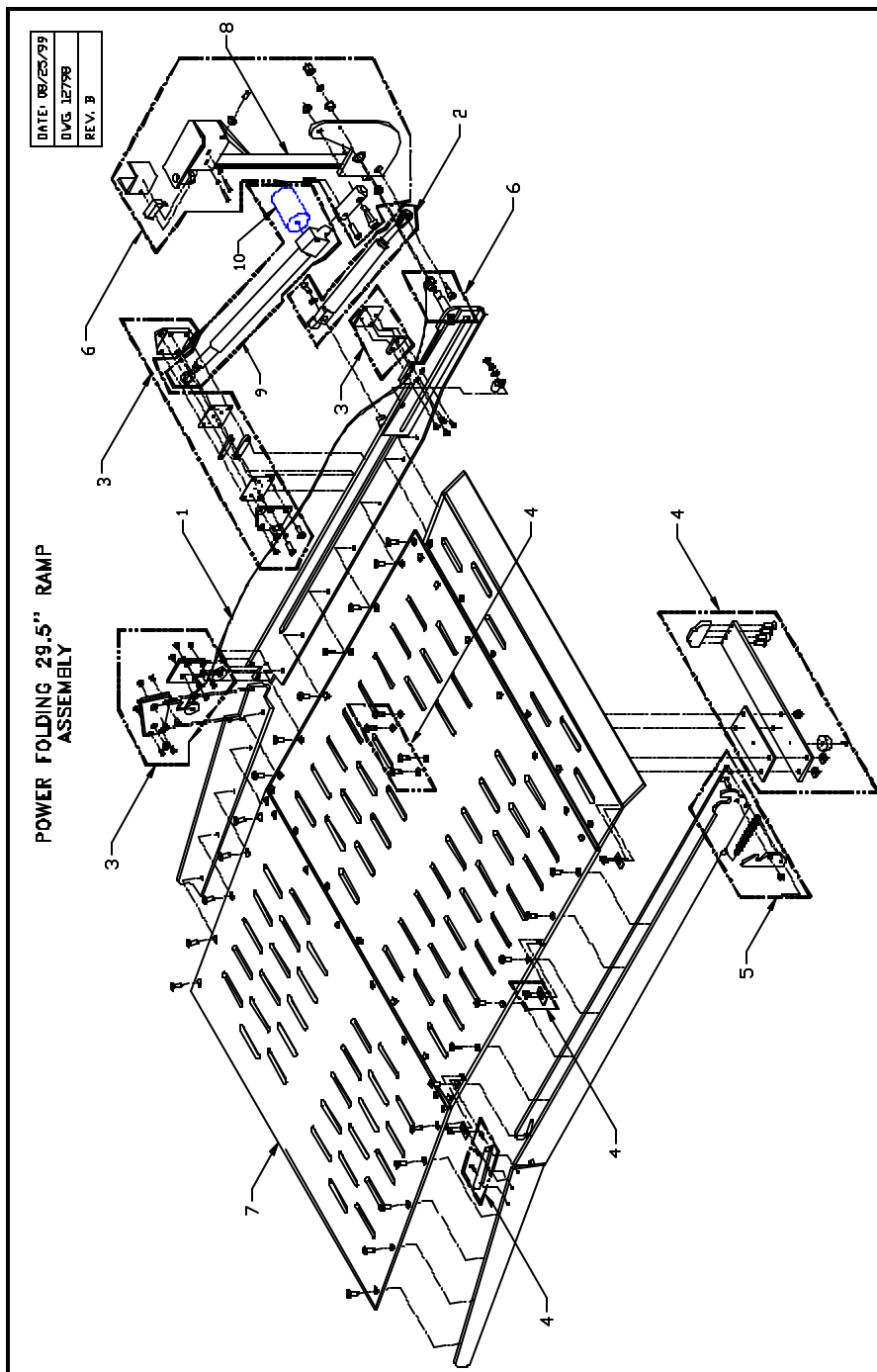
REF.	DESCRIPTION	QTY.	PART NO.
1	BASEPLATE WLDT, SEATBASE	1	11114
2	GEAR RACK WLDT, SEATBASE	1	11125
3	KIT, Q'STRAIN ATTACHMENTS	1	13272





**FIGURE [6-7]: MANUAL FOLDING RAMP ASSEMBLY**

REF.	DESCRIPTION	QTY.	PART NO.
1	CABLE ASSY	1	NS5184
2	SPRING, PNEUMATIC + HDWR	1	14642
3	COVERS, BRACKETS + HDWR	1	14643
4	HARDWARE	1	14644
5	LATCH ASSY, RELEASE	1	14645
6	TAPE, REFLECTIVE	1	NS5583
7	BRACKET ASSY, VERTICAL	1	14646
8	FOLDING FLOOR ASSY	1	14647
9	BRACKET WLDMT, MAIN VERT. BRKT	1	NS5580



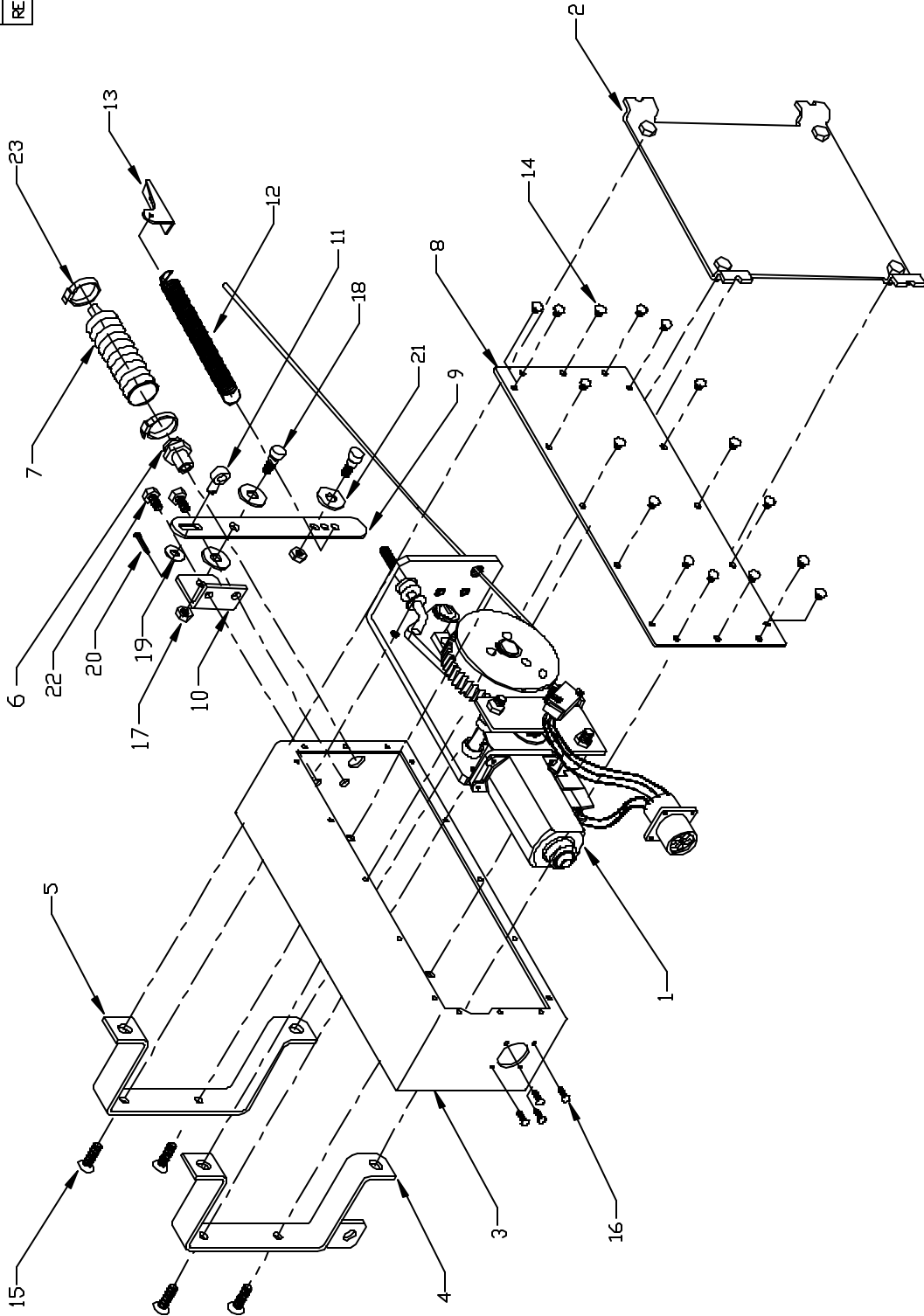
**FIGURE [6-8]: OPTIONAL POWER FOLDING RAMP ASSEMBLY**

REF.	DESCRIPTION	QTY.	PART NO.
1	CABLE ASSEMBLY	1	NS5184
2	GUIDE, VERTICAL SUPPORT	1	12997
3	COVERS, BRACKETS + HARDWARE	1	12998
4	POWER FOLDING RAMP HARDWARE	1	12999
5	LATCH ASSY, RELEASE,	1	13000

6	BRACKET-VERTICAL ASSY	1	13254
7	FOLDING FLOOR ASSY	1	13255
8	BRACKET WLDT, MAIN VERTICAL	1	NS5580
9	ACTUATOR ASSY: A/V	1	11536
10	KIT, MOTOR, ACTUATOR, SPARE PARTS	1	17550

DATE: 10/22/98
DWG: 12800
REV: A

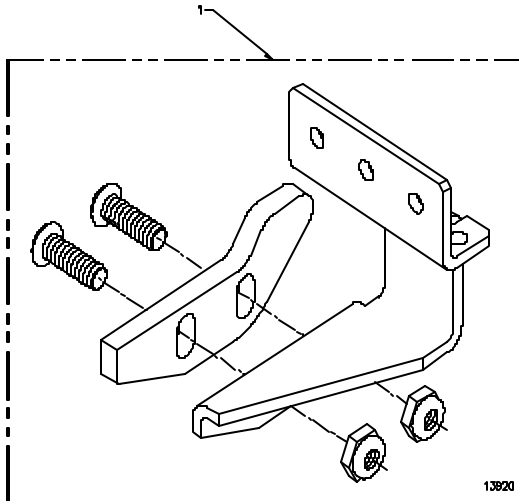
**POWER PARKING BRAKE ASSEMBLY**



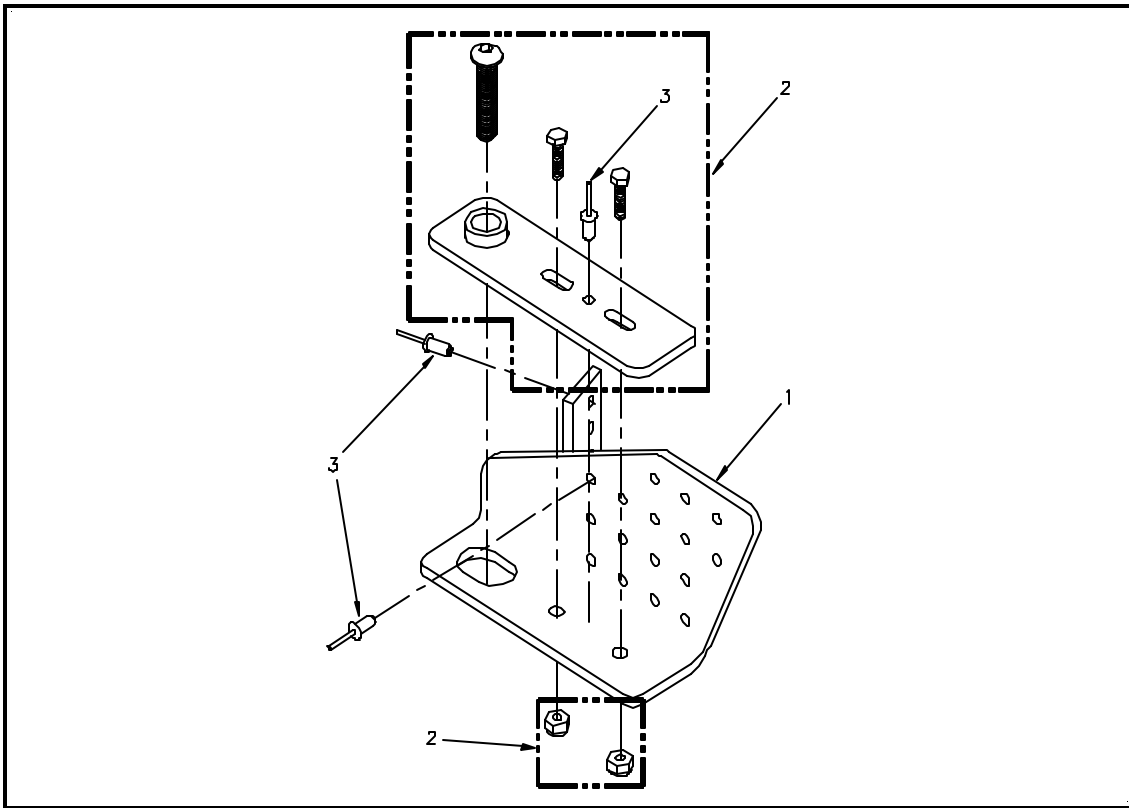
**FIGURE [6-9]: POWER PARKING BRAKE ASSEMBLY**

**POWER PARKING BRAKE ASSEMBLY**

REF.	DESCRIPTION	QTY.	PART NO.
1	POWER BRAKE INTERNALASSY	1	12789
2	WLDT, BRACKET P/B DODGE/FORD	1	13933
3	COVER FOR POWER BRAKE UNIT.	1	11944
4	WLDT, BRACE-SUPPORT, CABLE MOUNT	1	12993
5	BRACE -SUPPORT, BRAKE MOUNTING;P	1	12988
6	GUIDE POWER BRAKE	1	13906
7	BELLOW, CABLE COVER, POWER BRAKE	1	12990
8	COVER, BASE, POWER BRAKE	1	11170
9	PULL-ARM FOR POWER BRAKE	1	11926
10	BRACKET-SUPPORT, POWER BRAKE	1	11945
11	WELD ASSY OF PULL-ARM HOLDER	1	11942
12	SPRING RETURN, POWER-BRAKE	1	12991
13	BRACKET, SPRING, SEATBASE	1	11832
14	SCREW, PHP, 10-24X1/4 SST	16	281049
15	SCREW, FHP, 1/4-20X3/4 UNDER CUT	4	281871
16	SCREW, PHP, #6X.250, TYPE AB, STL	4	12180
17	NUT, ESN, 1/4-20	6	15919
18	SCREW, SSS, 5/16X1/4 BLK GR8	2	283731
19	WASHER, FLT, .265X.50X.06 SST	1	28635
20	PIN, COTTER, 1/8X1		14-33-829
21	WASHER, FLT, .32X.75X.08 SST	3	282776
22	SCREW, HEX, 1/4-20X1/2 GR5	2	28165
23	CABLETIE, 7.5" (NAT)	2	25521

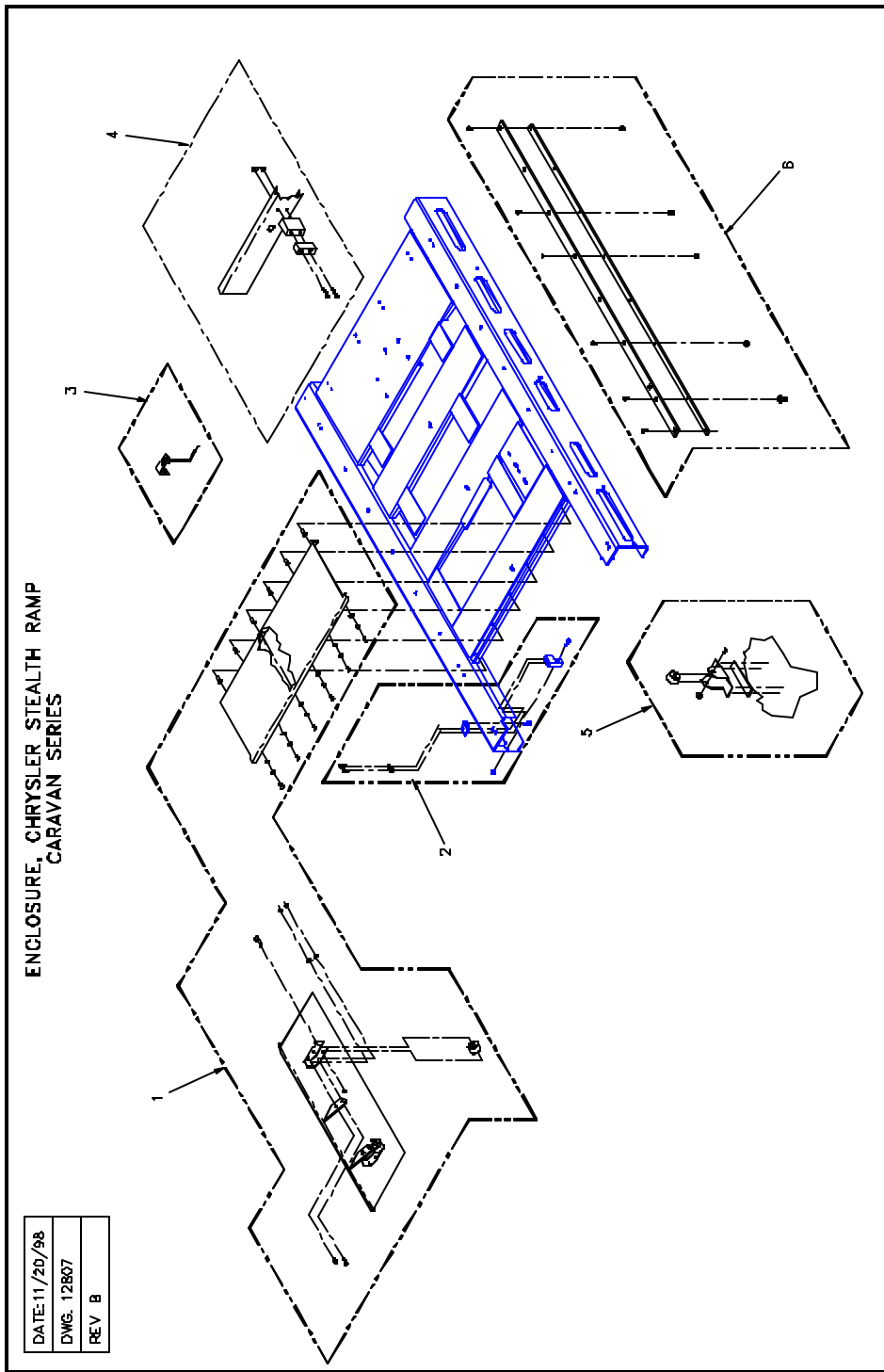


REF.	DESCRIPTION	QTY.	PART NO.
1	KIT, DODGE SLIDING DOOR, RAMP TENSIONER	1	13920



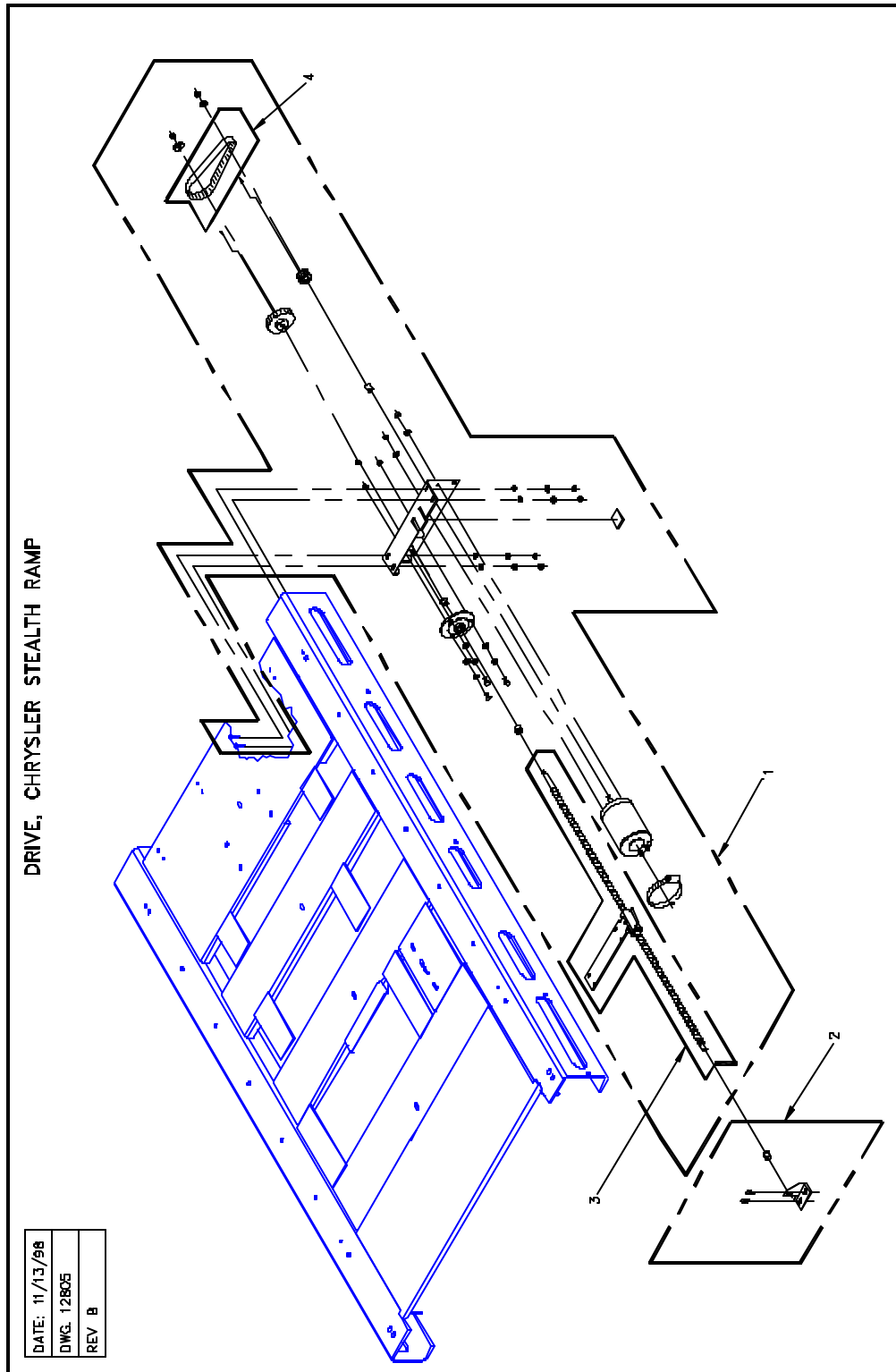
**FIGURE [6-11]: RAMP VERTICAL MOUNT BRACKET ASSEMBLY**

REF.	DESCRIPTION	QTY.	PART NO.
1	BRACKET-WASSY,RAMP SUPPORT	1	NS5266
2	MOUNTING BRACKET AND HARDWARE	1	13566
3	RIVET-3/16-5/8 SD68BS BLIND,STEEL	25	14-30-410



**FIGURE [6-12]: CHRYSLER STEALTH RAMP ENCLOSURE**

REF.	DESCRIPTION	QTY.	PART NO.
1	KIT, SPARE, HINGED FLOOR; STEALTH CHRYSLER RAMP	1	12076
2	KIT, SPARE, STOP, HINGED FLOOR; STEALTH CHRYSLER RAMP	2	10799
3	KIT, SPARE, MOUNTING SENSOR; STEALTH CHRYSLER RAMP	1	10798
4	KIT, SPARE, BUMPER, RAMP; STEALTH CHRYSLERRAMP	1	10797
5	KIT, SPARE, ROLLER, RAMP; STEALTH CHRYSLER RAMP	2	12890
6	KIT, SPARE, ALIGNMENT RAIL; STEALTH RAMP	1	10796



**FIGURE [6-13]: CHRYSLER STEALTH RAMP DRIVE SYSTEM**

REF.	DESCRIPTION	QTY.	PART NO.
1	KIT, SPARE, DRIVE; STEALTH RAMP	1	10791
2	KIT, SPARE, SUPPORT, BALL SCREW;	1	10792
3	BALLSCREW BEARING ASSY, CHRYSLER	1	WS-0095
4	BELT, HTD-0.591W X 14.764P.LG	1	25128



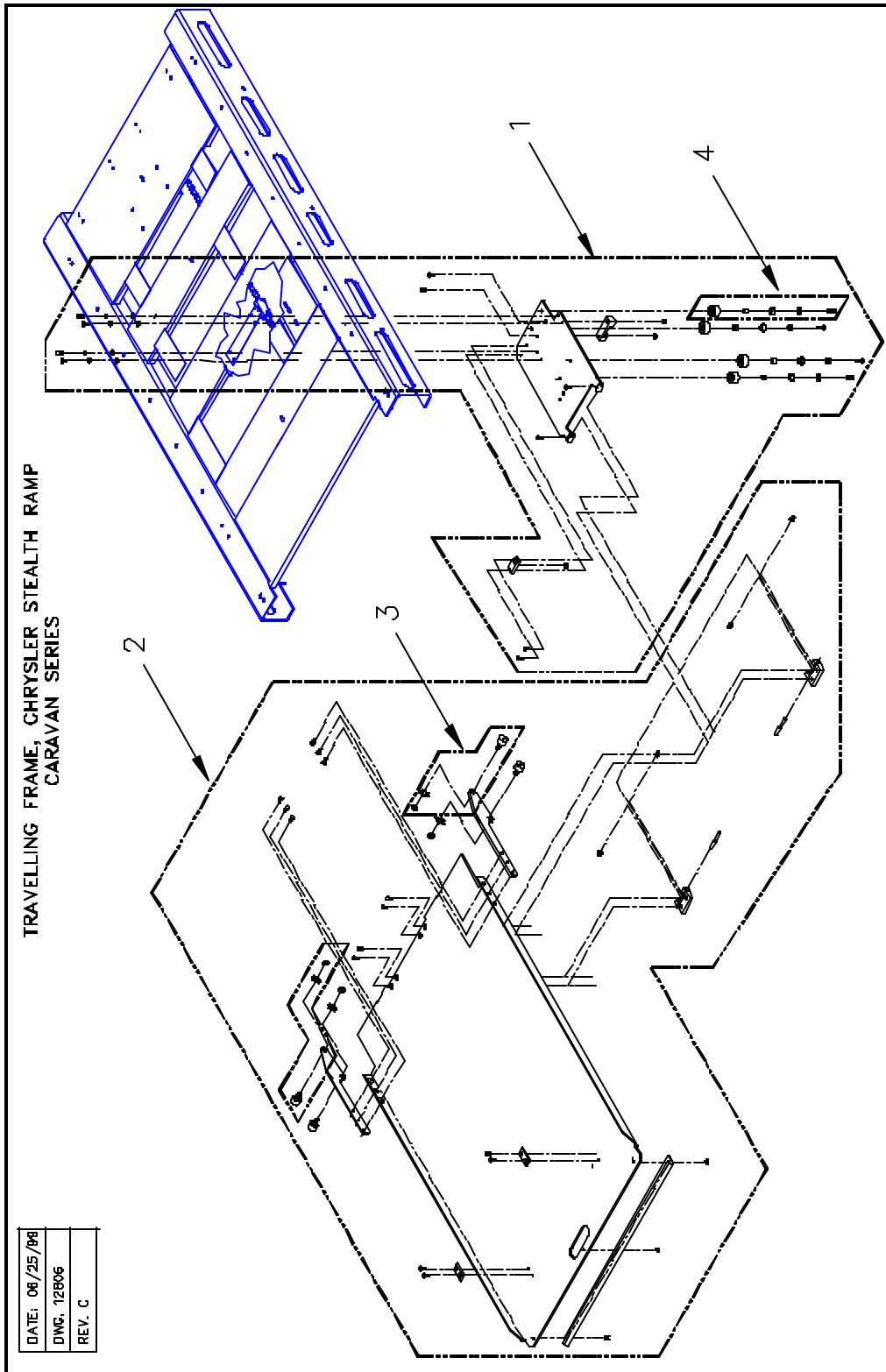
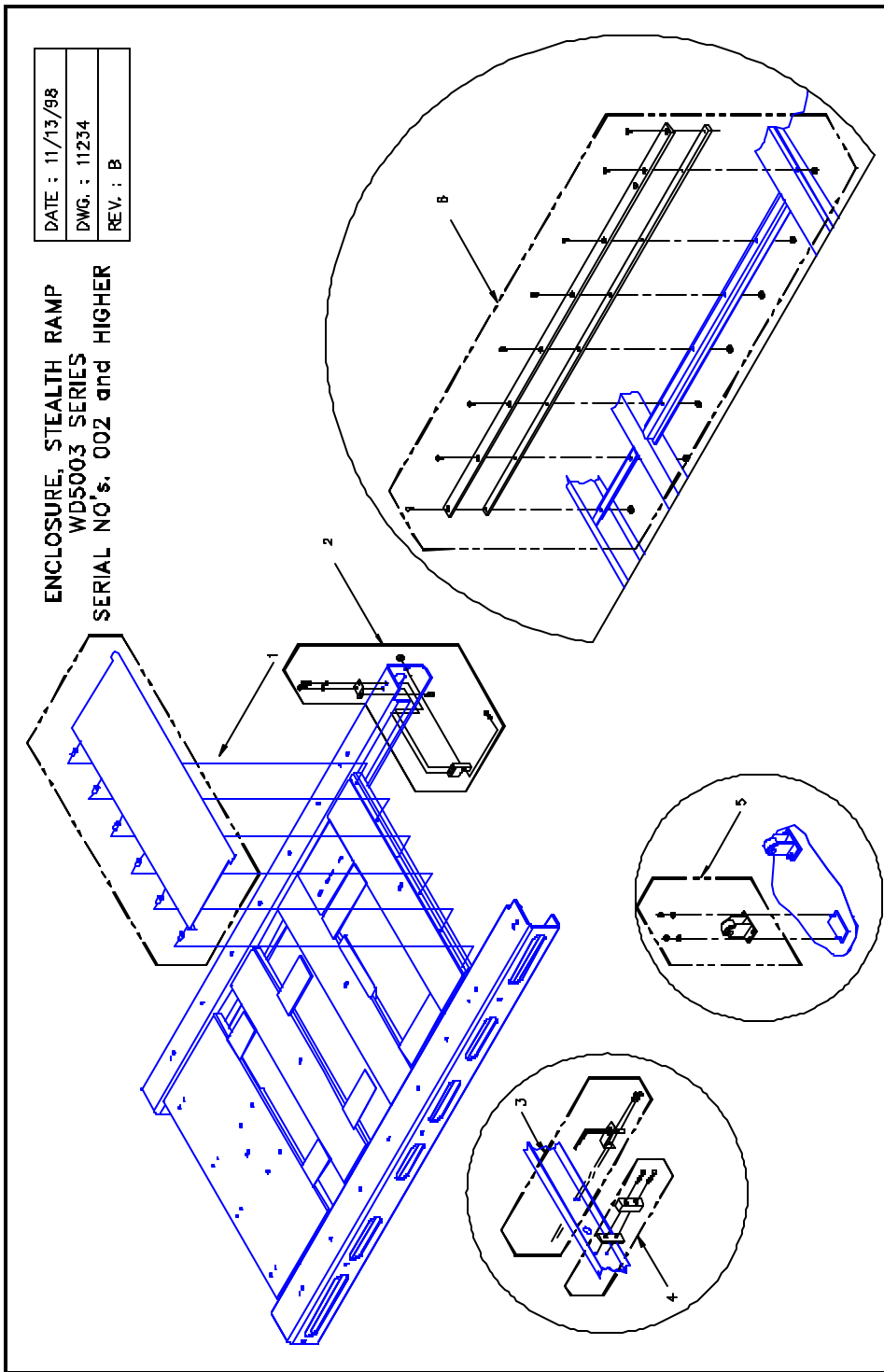


FIGURE [6-14]: CHRYSLER STEALTH RAMP TRAVELING FRAME

REF.	DESCRIPTION	QTY.	PART NO.
1	KIT, SPARE, PLATE ALIGNMENT; RAMP CHRYSLER	1	12895
2	KIT, SPARE, RAMP; RAMP CHRYSLER	1	12896
3	KIT, SPARE, CAM - FOLLOWER;	4	13567
4	KIT, ROLLER, ALIGNMENT PLATE	4	13568



**FIGURE [6-14]: CHRYSLER STEALTH RAMP TRAVELING FRAME**

REF.	DESCRIPTION	QTY.	PART NO.
1	KIT, SPARE, HINGED FLOOR; STEALTH RAMP	1	10800
2	KIT, SPARE, STOP, HINGED FLOOR; STEALTH RAMP	2	10795
3	KIT, SPARE, MOUNTING SENSOR; STEALTH RAMP	1	10799
4	KIT, SPARE, BUMPER, RAMP; STEALTH RAMP	1	10798
5	KIT, SPARE, ROLLER, RAMP; STEALTH RAMP	2	10797
6	KIT, SPARE, ALIGNMENT RAIL; STEALTH RAMP	1	10796

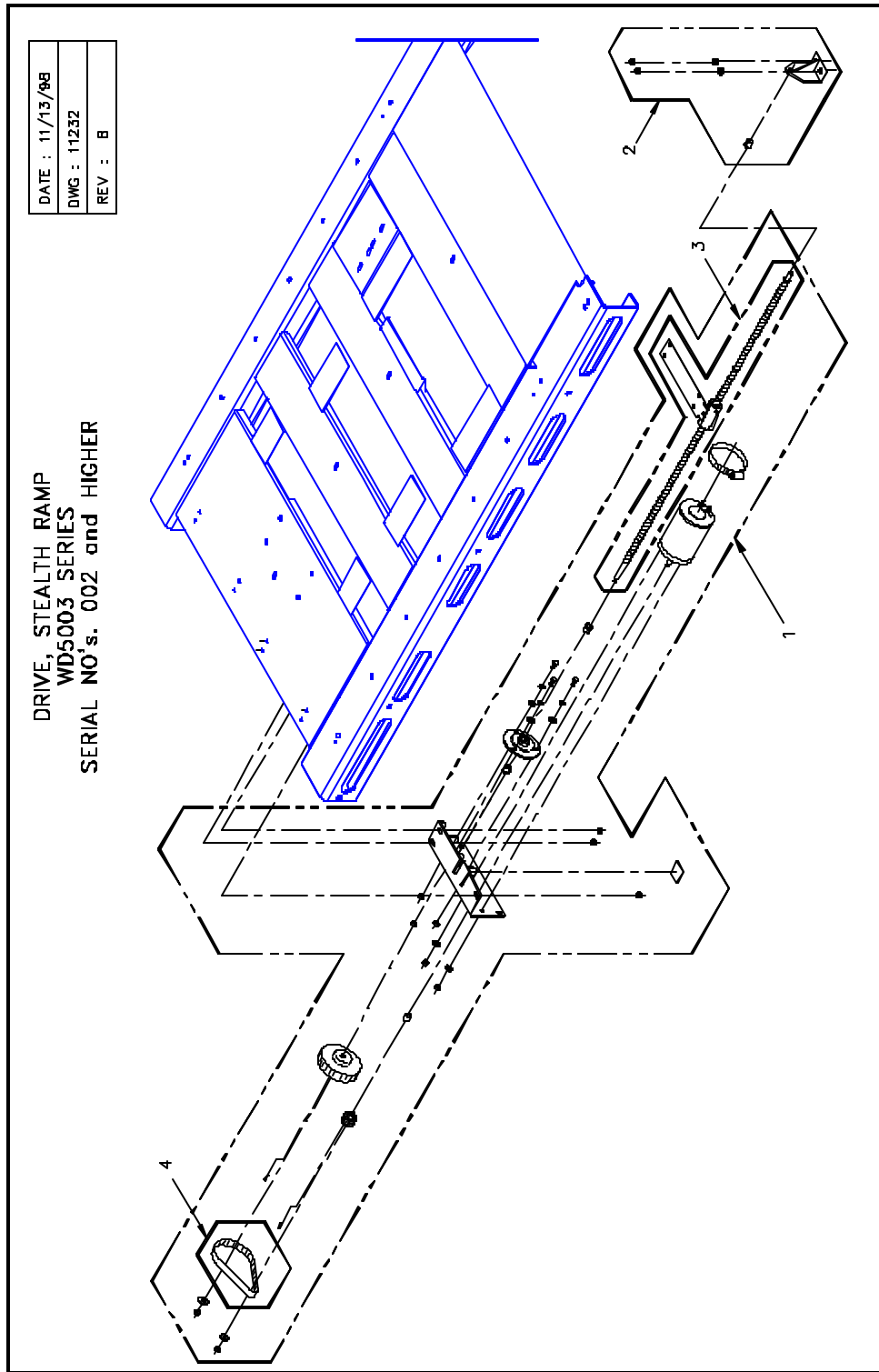


FIGURE [6-16]: FORD STEALTH RAMP DRIVE SYSTEM

REF.	DESCRIPTION	QTY.	PART NO.
1	KIT, SPARE, DRIVE; STEALTH RAMP	1	10791
2	KIT, SPARE, SUPPORT, BALL SCREW; STEALTH RAMP	1	10792
3	SCREW BALL BEARING ASSY.	1	WS-0095
4	BELT, HTD-0.591W X 14.764P.LG	1	25128

DATE : 06/25/89
DWG : 11233
REV : C

TRAVELING FRAME, STEALTH RAMP  
 WD5003 SERIES  
 SERIAL NO's. 002 and HIGHER

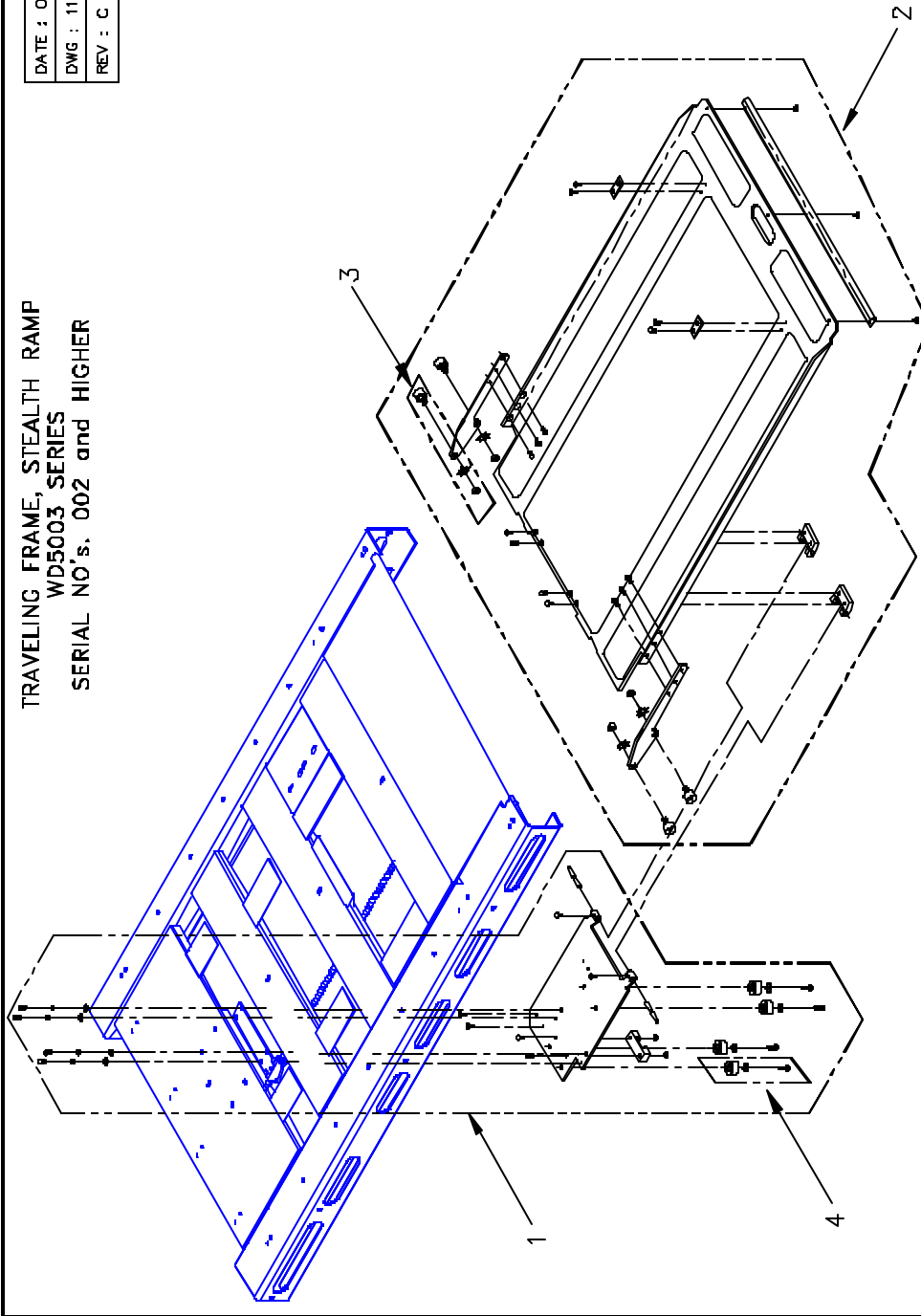


FIGURE [6-17]: FORD STEALTH RAMP TRAVELING FRAME

REF.	DESCRIPTION	QTY.	PART NO.
1	KIT, SPARE, PLATE ALIGNMENT; STEALTH RAMP FORD	1	10793
2	KIT, SPARE, RAMP; STEALTH RAMP FORD	1	10794
3	KIT-SPARE CAM FOLLOWER	4	13567
4	KIT SPARE ROLLER, ALIGNMENT PLATE	4	13568

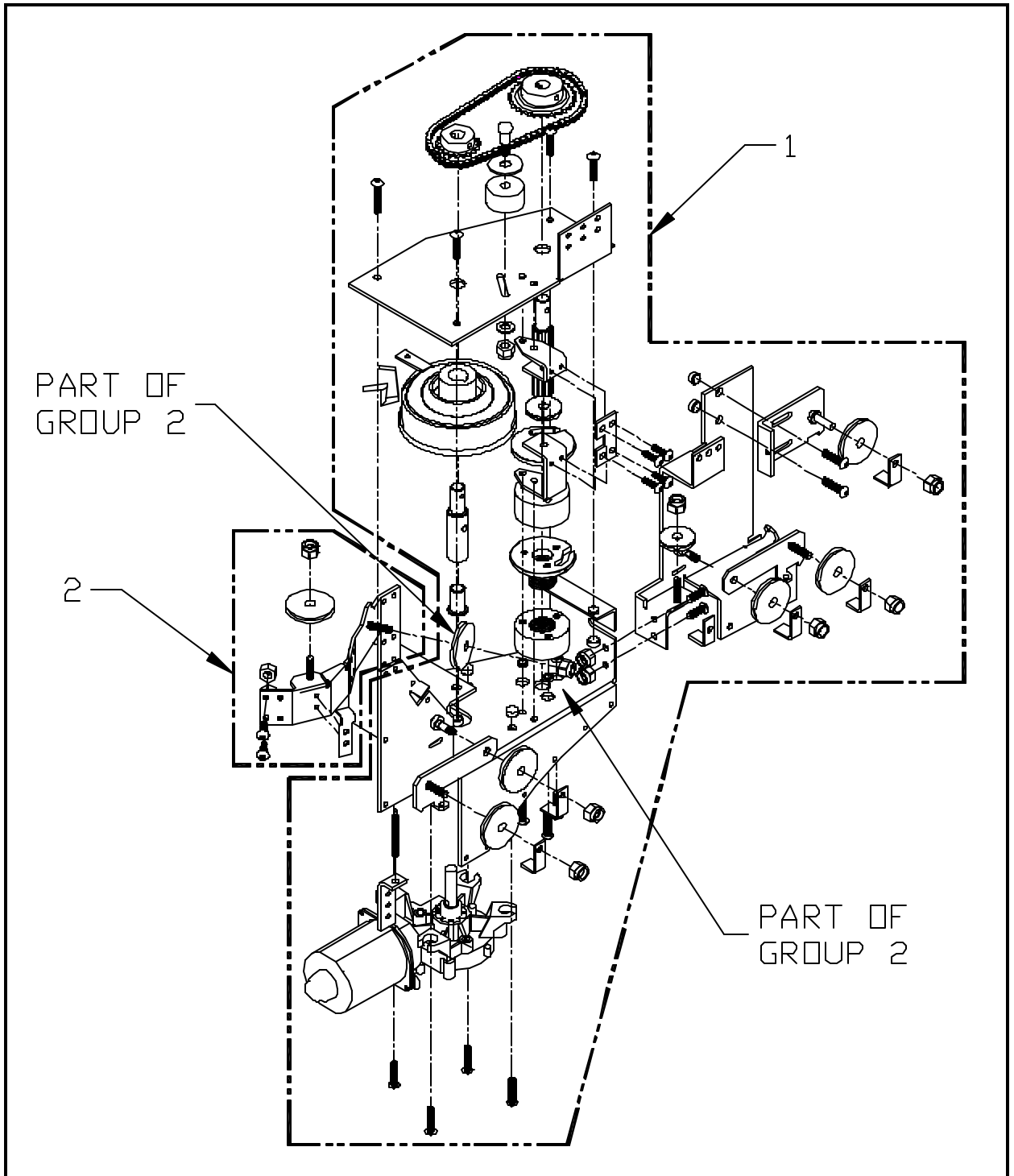
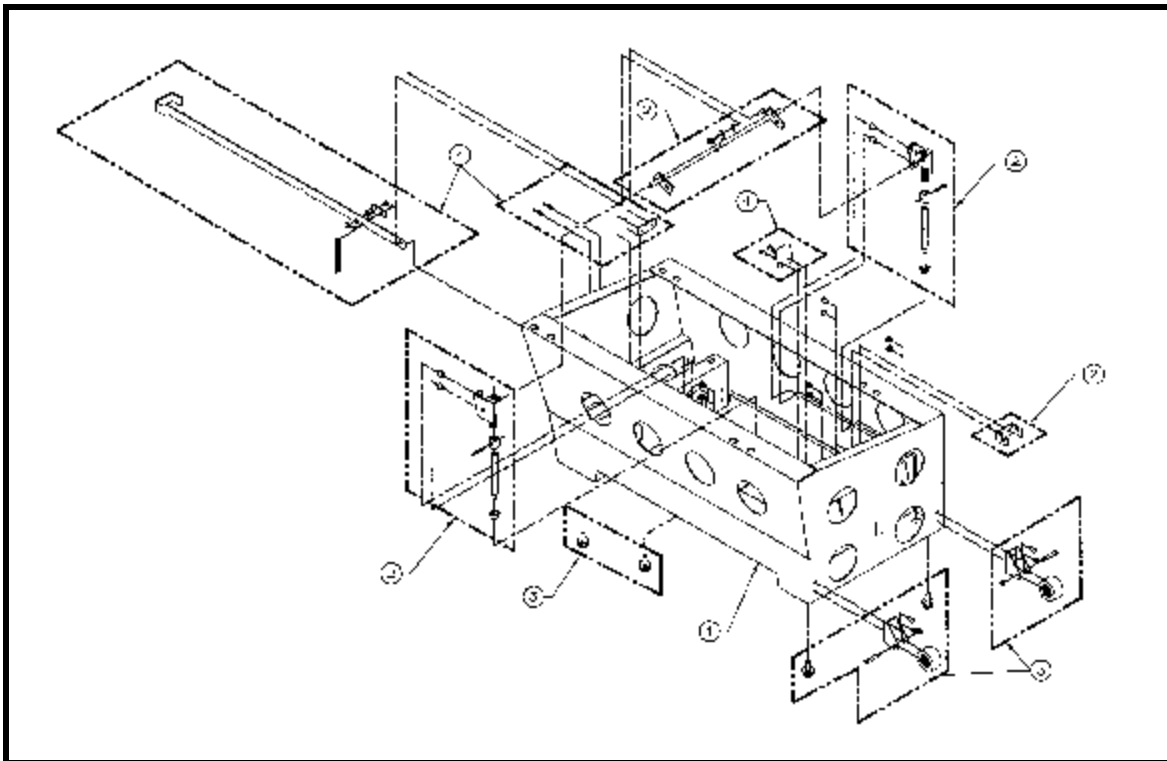


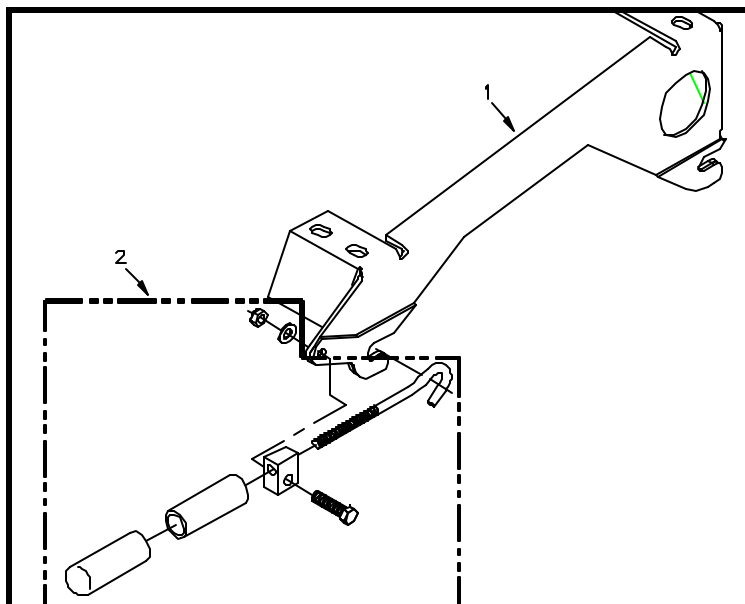
FIGURE [6-18]: CHRYSLER CABLE DOOR OPERATOR

REF.	DESCRIPTION	QTY.	PART NO.
1	MOTOR ASSY,POWER DOOR OPENER(CABLE)	1	12305
2	BRACKET, ASSY, RETURN PULLEY	1	12392



**FIGURE [6-19]: REMOVABLE MIDDLE SEATBASE**

REF.	DESCRIPTION	QTY.	PART NO.
1	FRAME WELD, MIDDLE SEATBASE	1	11118
2	KIT, SHAFT WLDT, SEATBASE	1	13266
3	KIT, WHEEL, 2" PLASTIC	1	13265
4	KIT, PLATE HANDLE, MID SEAT	1	14032



**FIGURE [6-20]: REMOVABLE REAR SEATBASE**

REF.	DESCRIPTION	QTY.	PART NO.
1	BRACKET-WASSY, REAR SEAT BASE	1 ea.	10279
2	HOOK ASSEMBLY	1 ea.	14031

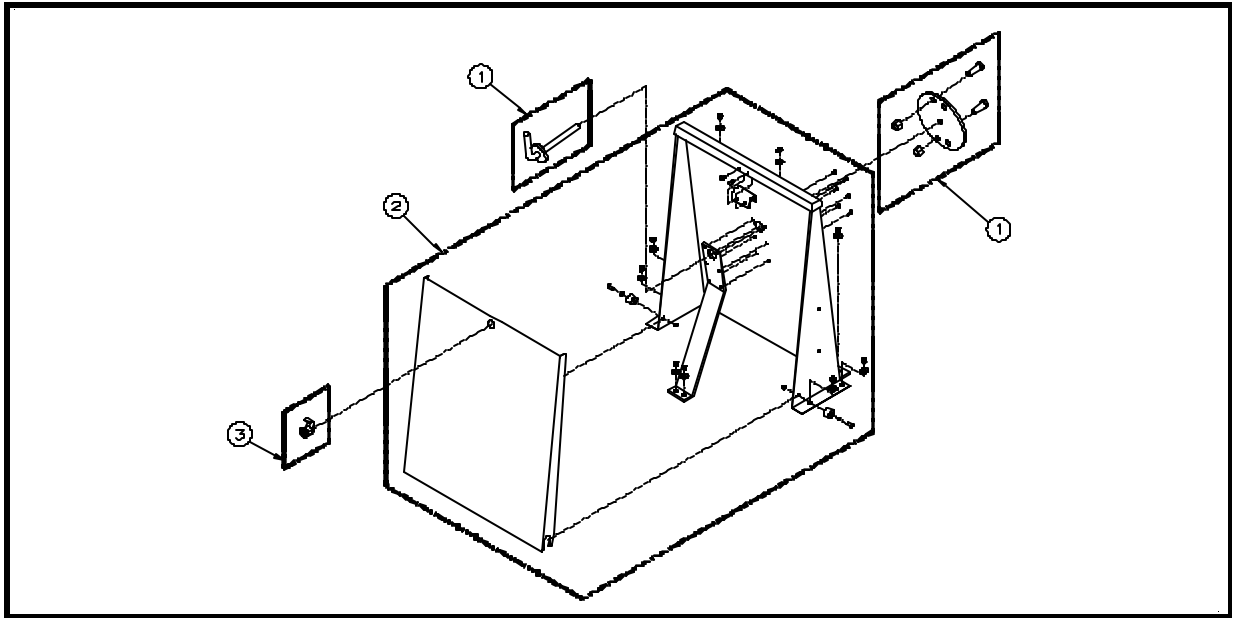


FIGURE [6-21]: UPRIGHT SPARE TIRE MOUNT AND STORAGE BIN

REF.	DESCRIPTION	QTY.	PART NO.
1	KIT, SPARE, MOUNTING, TIRERACK	1	11817
2	KIT, SPARE, HARD COVER, TIRERACK	1	11818
3	LOCK/KEY f/OUTSIDE	1	01979

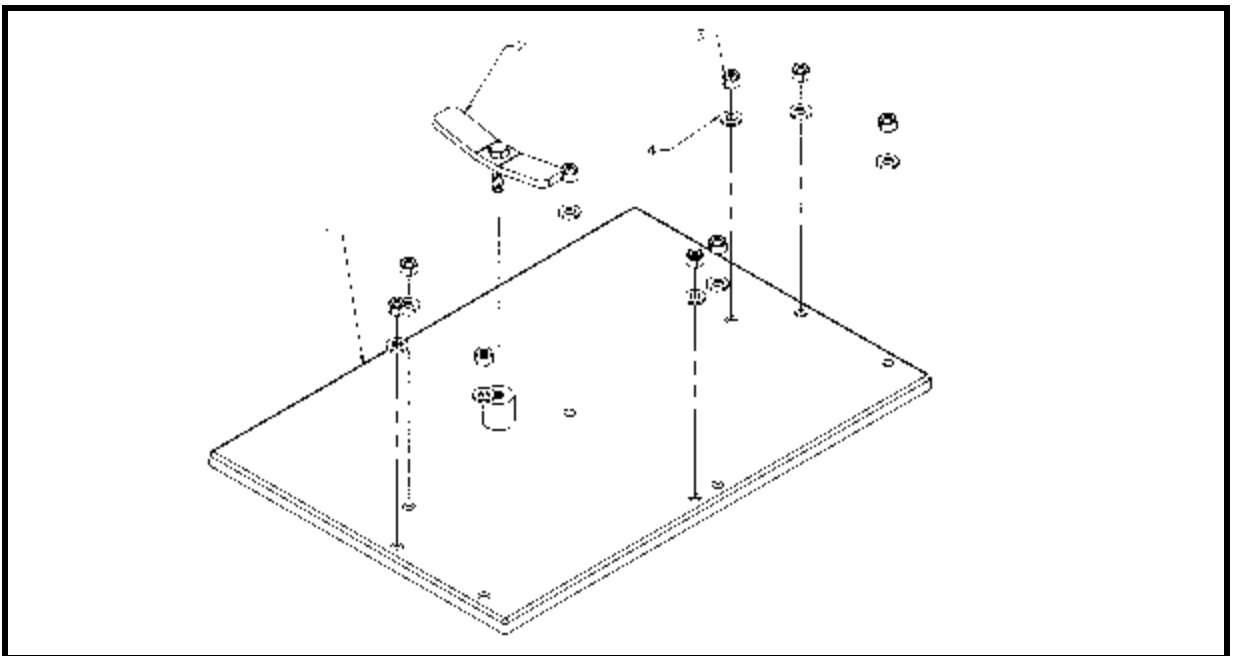


FIGURE [6-22]: OPTIONAL LAYDOWN SPARE TIRE ASSEMBLY

REF.	DESCRIPTION	QTY.	PART NO.
1	PLATE MOUNTING SPARE TIRE ASSEMBLY	1	12298
2	HANDLE ASSEMBLY	1	12300
3	NUT, ESN, 5/16-18 SST	9	283145
4	WASHER, FLAT, .344 X .688 X .065	9	28277

## MISCELLANEOUS PARTS

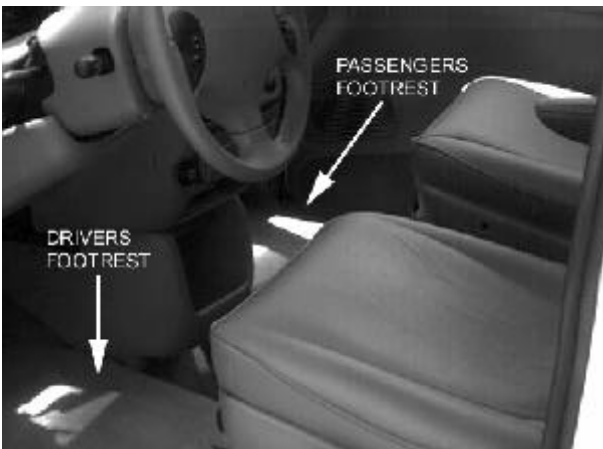


FIGURE [6-23]: FOOTRESTS



FIGURE [6-24]: CARGO AREA COMPONENTS

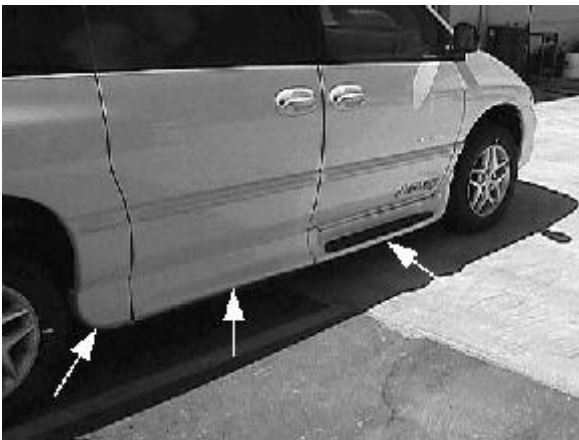


FIGURE [6-25]: SIX PIECE FLARE KIT  
(CHRYSLER ONLY)

REF.	DESCRIPTION	QTY.	PART NO.
FIG. 6-23	FOOTREST, PASSENGER	1	10089
FIG. 6-23	FOOTREST, DRIVER	1	10090
FIG. 6-24	Q'STRAIT SYSTEM	1	WD5327
FIG. 6-24	COVER, TIRE, BLACK VINYL	1	50-50-049B
FIG. 6-24	DECAL, RICON LOGO	1	32-10-156
FIG. 6-25	KIT, BODY FLARES, DRIVER & PASSENGER, CHRYSLER	1	14071