



INSTALLATION INSTRUCTIONS
INSTALLATION KIT # 20707
CONTROLLER REPLACEMENT ON FR2 SERIES RAMPS

- Be certain these supplemental instructions are read and understood completely before installation is attempted. You should also refer to Service/Owner Manual for additional installation instructions and safety precautions.
- Check contents of this kit and notify Ricon immediately of any missing parts. Claims for damages of shortages that have occurred during shipping must be made to freight carrier.

! CAUTION

REMOVE ELECTRIC POWER FROM LIFT PRIOR TO INSTALLATION.

I. REMOVAL OF CONTROLLER

- A. Disconnect four harnesses from controller.
- B. Remove hardware that fastens controller to ramp frame.

II. INSTALLATION OF NEW CONTROLLER

- A. Refer to **FIG [1]**. Ramp models that need a controller bracket.
 - 1. Fasten bracket, in orientation shown, to the ramp frame using provided hardware.
- B. Fasten new controller to controller bracket or directly to the ramp frame, depending on ramp model, using provided hardware.
- C. Reconnect four harnesses to controller, in their designated plugs. Reconnect electrical power.

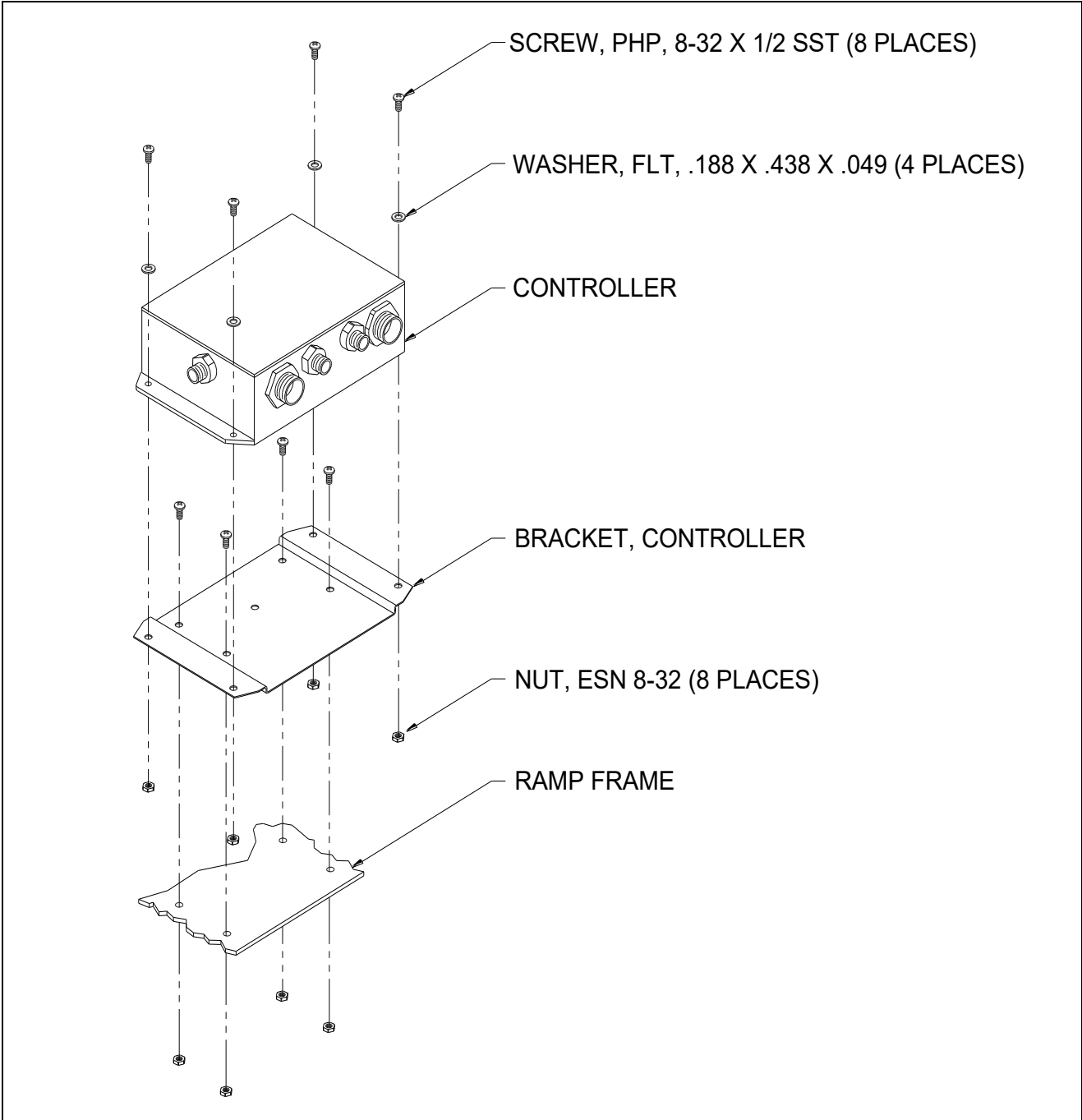


FIG [1]: CONTROLLER INSTALLATION