

INSTALLATION INSTRUCTIONS
RETROFIT KIT # 19318
GAS SPRING, K1200 / K2000 / K5000 LIFTS

- Be certain these supplemental instructions are read and understood completely before installation is attempted. You should also refer to Service/Owner Manual for additional installation instructions and safety precautions.
- Check contents of this kit and notify Ricon immediately of any missing parts. Claims for damages or shortages that have occurred during shipping must be made to freight carrier.

I. INSTALLATION OF PNEUMATIC SPRING (S) IN A K-SERIES LIFT

FIG [1]: COVER DETAIL

- **REMOVE COVERS ON BOTH SIDES OF LIFT**

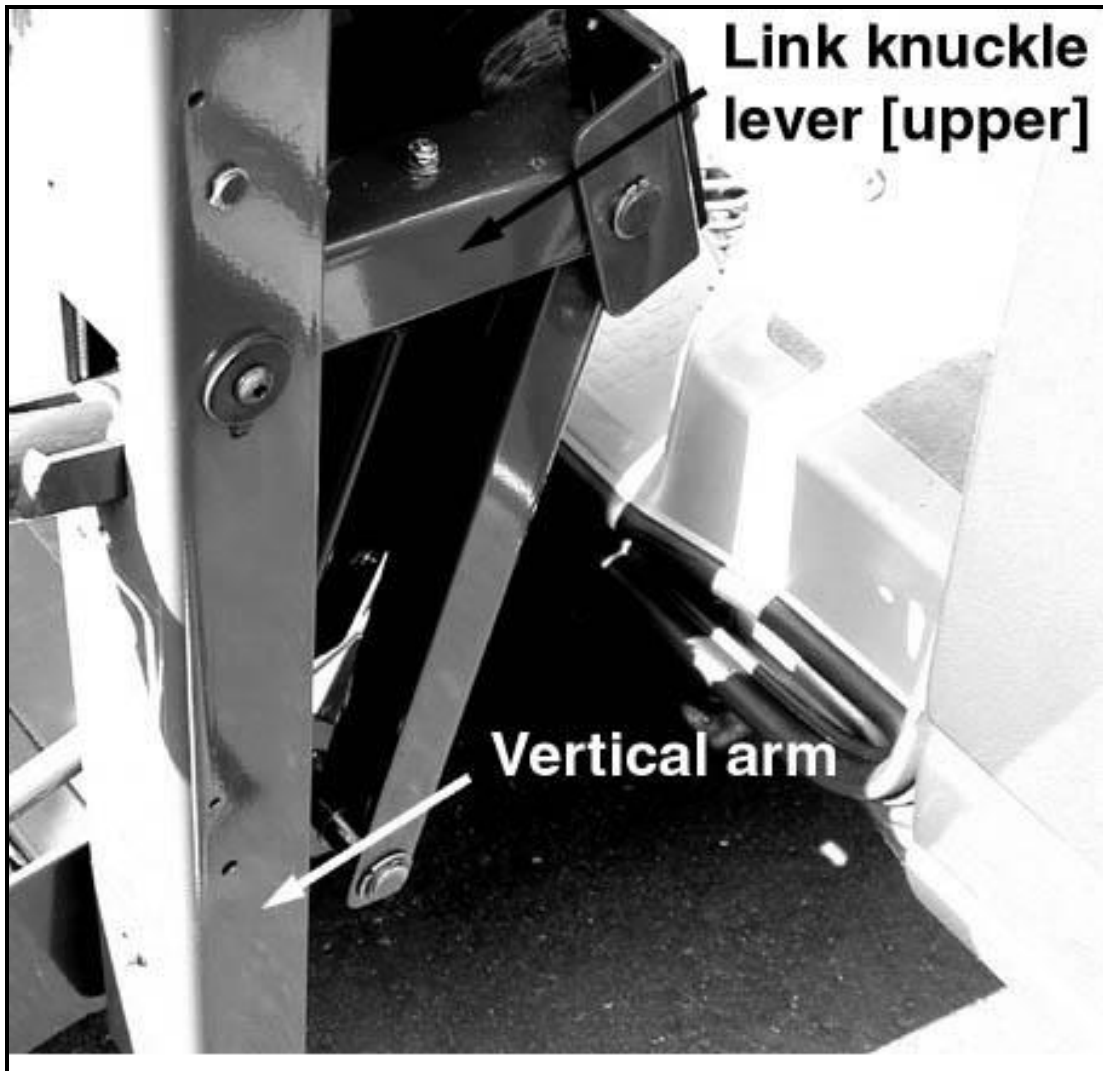


FIG [2]: DETAIL OF PNEUMATIC SPRING LOCATION

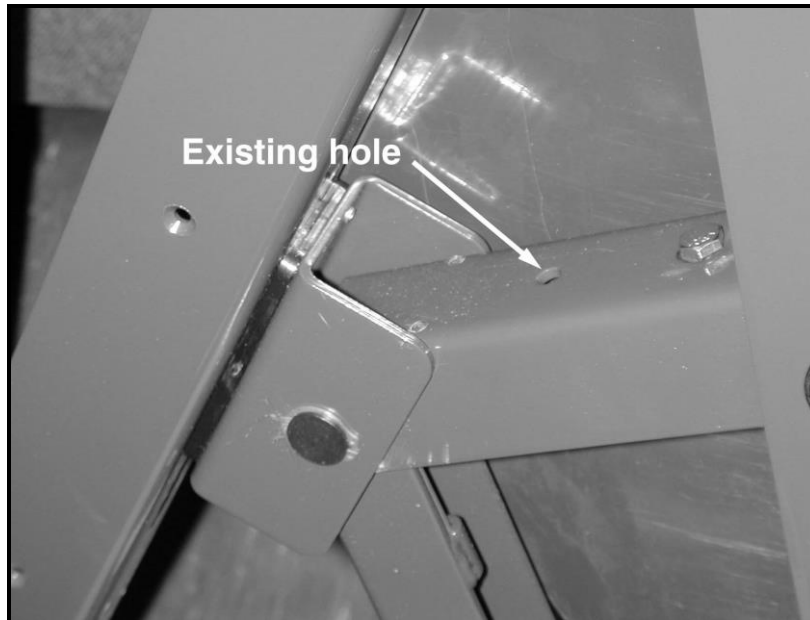


FIG [3A]: DETAIL OF UPPER MOUNTING HOLES

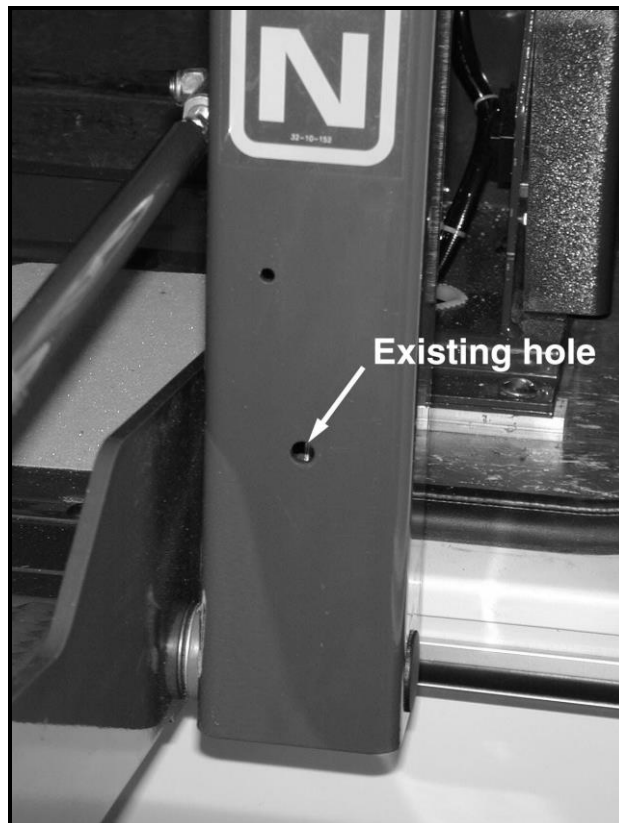


FIG [3B]: DETAIL OF LOWER MOUNTING HOLES

- **NOTE: K2000 AND K5000 SERIES LIFTS WILL NEED A HOLE DRILLED ABOVE EXISTING HOLE AS SHOWN.**
- **USING TEMPLATE SUPPLIED IN KIT, DRILL ONE NEW HOLE EACH FOR LEFT AND RIGHT SIDE VERTICAL ARMS. INSTRUCTIONS FOR USE ARE WRITTEN ON THE TEMPLATE.**

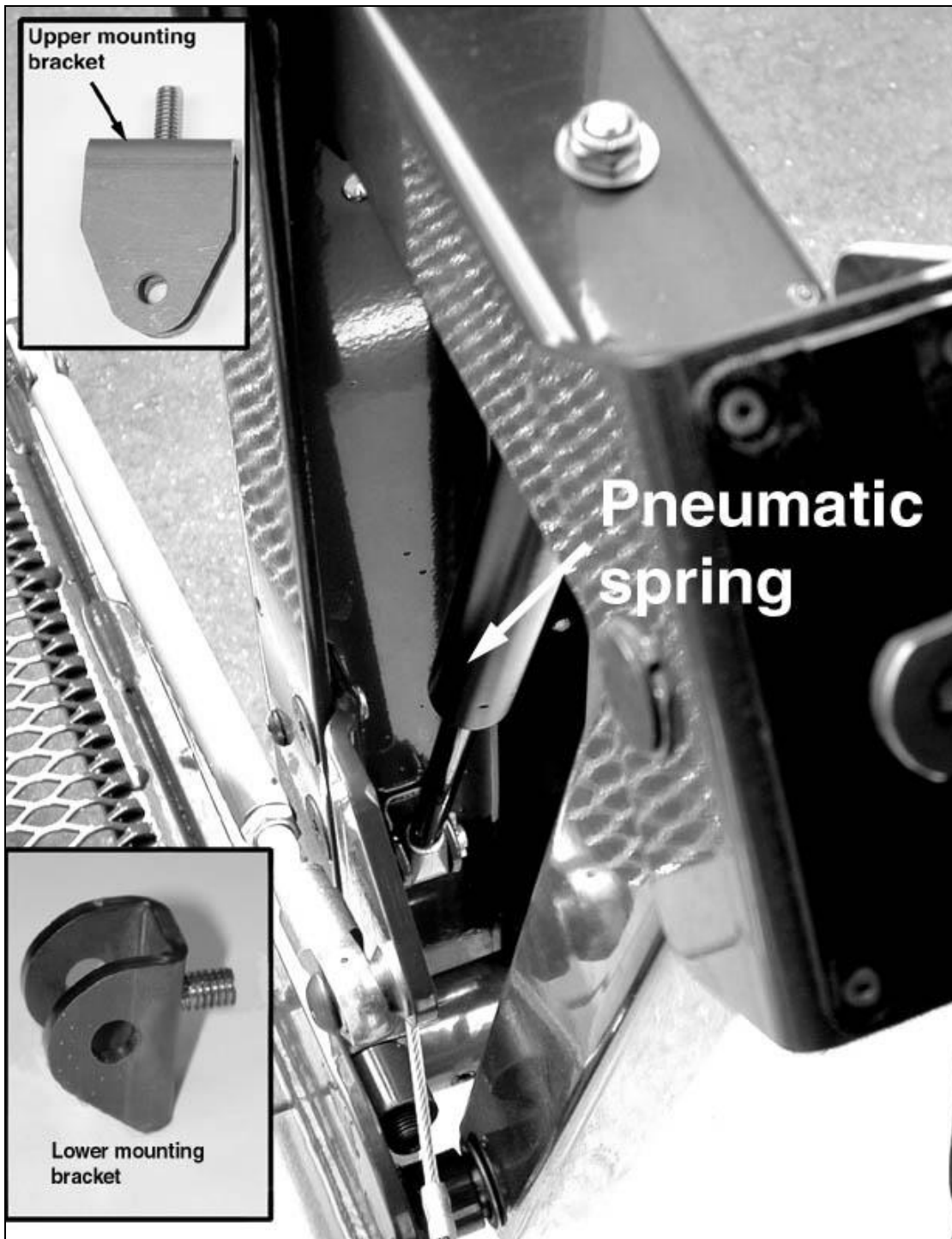


FIG [4]: PNEUMATIC SPRING INSTALLATION DETAIL

- INSTALL PNEUMATIC SPRING ASSEMBLIES [BOTH SIDES] IN EXISTING HOLES. FIGURE [2 ,3A AND 3B]. USE ¼-20 LOCK NUTS AND FLAT WASHERS SUPPLIED IN KIT.
- TIGHTEN ALL HARDWARE.
- **NOTE:** INSTALLING THE GAS SPRINGS ADDS AN EXTRA LOAD WHEN STOWING LIFT. ADJUSTMENT OF THE PRESSURE SWITCH WILL BE NEEDED.
- REMOVE THE PUMP COVER.



FIG [5]: PRESSURE SWITCH SET SCREW DETAIL

- **LOCATE PRESSURE SWITCH.**
- **REMOVE LOCKING SETSCREW WITH 1/8" HEX WRENCH.**

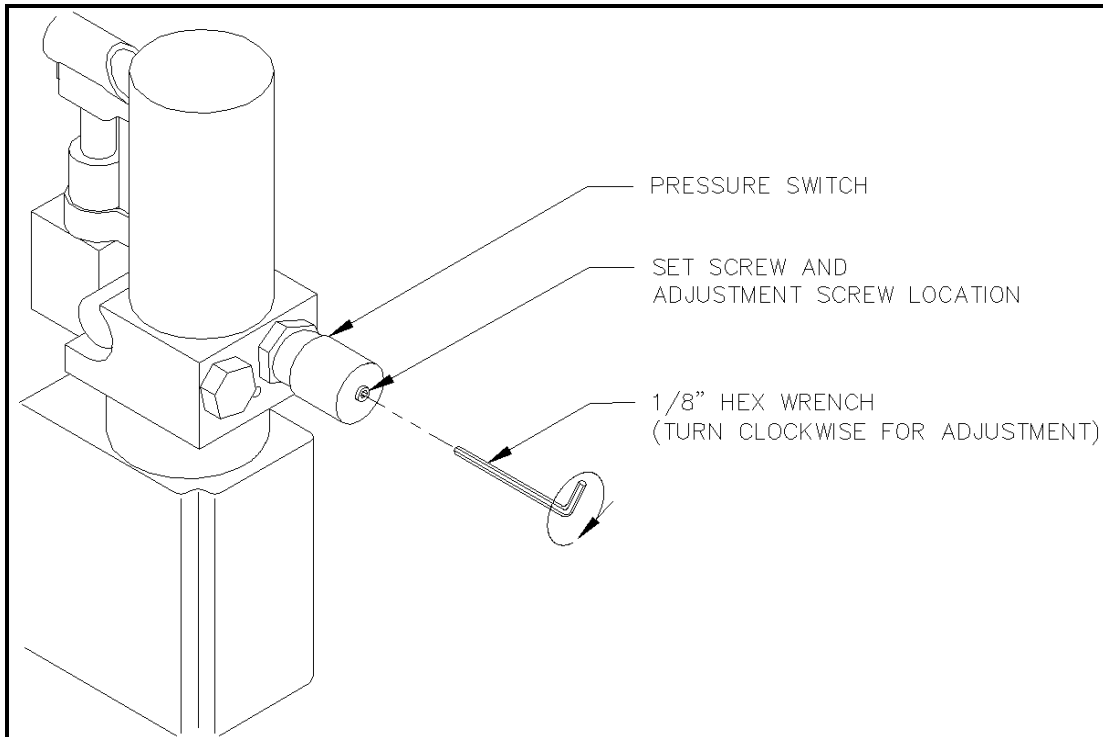


FIG [6]: PRESSURE SWITCH ADJUSTMENT DIAGRAM

- **ADJUST PRESSURE SWITCH UNTIL THE LIFT WILL STOW. LIFT WILL HESITATE ONE OR TWO TIMES WHILE STOWING.**



LOAD TEST MUST BE PERFORMED TO ASSURE SAFE OPERATION OF LIFT

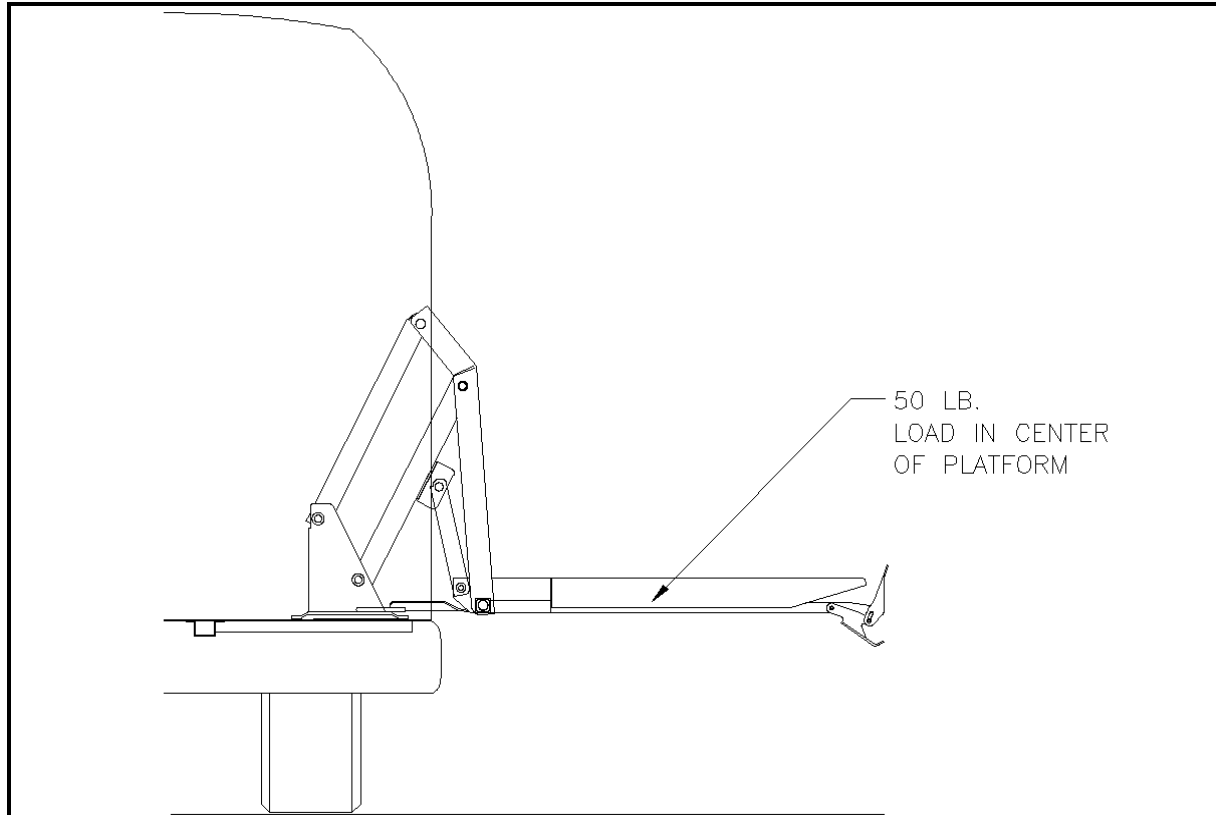


FIG [7]: LOAD TEST DIAGRAM

- **DEPLOY AND LOWER PLATFORM TO THE GROUND, PLACE ONE 50LB. LOAD IN CENTER OF PLATFORM AND THEN RAISE TO FLOOR LEVEL.**
- **STOW LIFT USING PENDENT SWITCH, PUMP SHOULD SHUTOFF, PREVENTING FURTHER MOVEMENT OF PLATFORM. IF PLATFORM CONTINUES TO STOW RELEASE SWITCH. ADJUST PRESSURE SWITCH AND RETEST FROM FLOOR LEVEL. REPEAT AS NEEDED UNTIL THE PUMP SHUTOFF.**
- **REMOVE 50LB. WEIGHT AND STOW LIFT ONE OR TWO HESITATIONS IS NORMAL.**
- **REINSTALL SETSCREW AND TIGHTEN AGAINST ADJUSTMENT SCREW.**
- **CHECK OPERATION OF LIFT AND ADJUST AS NEEDED.**
- **REINSTALL ALL COVERS.**