

INSTALLATION INSTRUCTIONS

K-SERIES LIFT(S) KICK-OUT SPRING KIT # 25763

- Be certain that these supplemental instructions are read and understood completely before installation is attempted. You should also refer to the Service/Owner Manual for additional installation instructions and safety precautions.
- Check contents of this kit and notify Ricon immediately of any missing parts. Claims for damages that have occurred during shipping must be made to the shipper.

TABLE OF CONTENTS	PAGE
I. INTRODUCTION	1
II. TOOLS REQUIRED.....	1
III. K-1100	1
A. PREPERATION	1
B. INSTALLATION.....	2
IV. K-1200, K-2000, K-5000.....	3
A. PREPERATION	3
B. INSTALLATION.....	4

- Under no circumstances is maintenance, repair, or adjustment of the product to be performed without the presence of an individual capable of giving aid.
- This lift is driven with hydraulic pressure generated by a hydraulic pump system. The fluid is highly pressurized and possibly very hot. Use extreme caution when doing maintenance and repairs. DO NOT disconnect hoses or fittings when lift is in motion.
- Give immediate attention to all injuries, and administer first-aid, or seek medical attention as necessary.
- Protective eye shields and clothing should be worn during maintenance, repair, and adjustment of the lift.
- Work in a properly ventilated area.
- Check for hidden obstructions before drilling and cutting. Avoid interference with wiring, fuel tank, fuel lines, hydraulic lines, subfloor members, etc.
- Read and understand all instructions before attempting to operate the product.
- Read and understand all instructions before attempting to perform maintenance, repairs, or adjustments to the product.
- Read and comply with warning labels attached to ramp.

I. INTRODUCTION

The following instructions are intended to cover installation of the Kick-Out Spring Kit for K-Series lifts. This kit includes all the parts needed to complete the installation. Please follow these instructions thoroughly and do not cut any corners, or eliminate any steps. Call our service department if you need assistance.

II. TOOLS REQUIRED

- Center punch
- 7/16 wrench
- Drill motor with 3/8 chuck
- Adjustable wrench
- Size "K" drill bit

III. K-1100

A. PREPARATION

1. Drill Mounting Holes:
 - a. Fold lift.
 - b. **Refer to Figure 1.** Locate mounting hole locations on vertical arms as illustrated on.
 - c. Spot these locations with center punch and drill through each vertical arm.
 - d. **Refer to Figure 2.** Once through vertical arm, carefully align drill bit as square as possible with vertical arm surface and drill through lower knuckle link.
 - e. Remove all burrs before proceeding.

NOTE: Location of hole on the vertical arm is important, and should not vary vertically more than +/- 1/32".

B. INSTALLATION OF SPRING AND SPRING GUIDE

1. **Refer to Figure 1.** Using 1/4-20 X 1 1/4 bolts and washers provided, install spacer (3/4" L) and spring inside vertical arms.
2. **Refer to Figure 3.** Install spacer (1/2" L) and spring guide on bottom face of lower knuckle link using 1/4 - 20 x 1 bolt and washer.
3. Be sure lift closes normally after installation. Spring guide must engage spring to assure proper operation.

NOTE: Some spring bases may not be perfectly square. If so, install the spring so that it points upward.

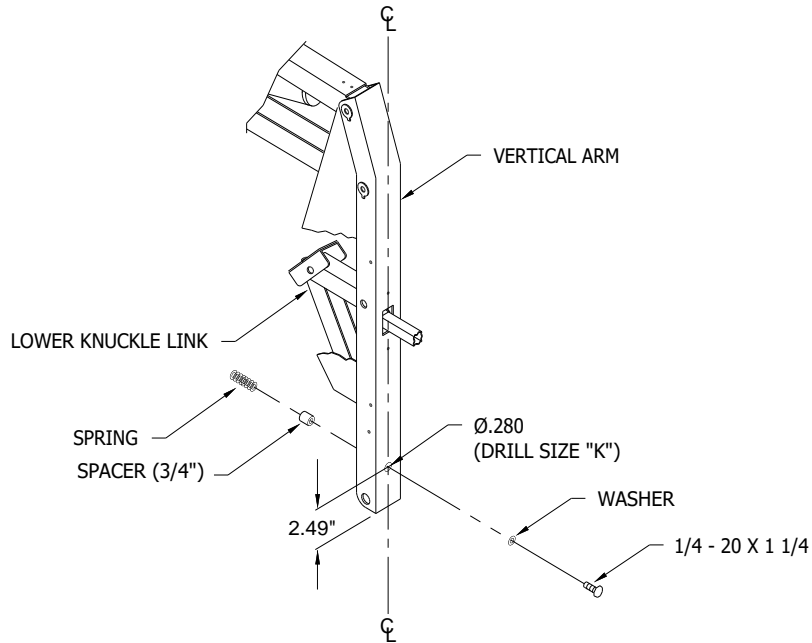


FIGURE 1: K-1100 SERIES INSTALLATION: KICK-OUT SPRING

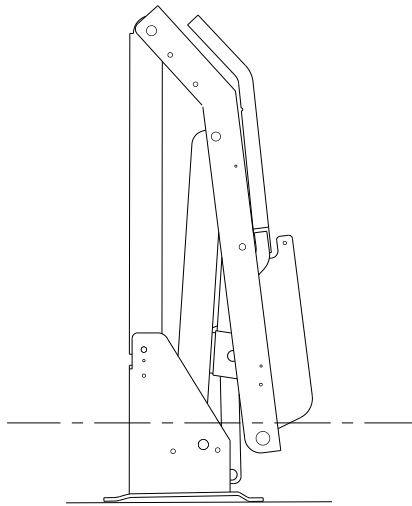


FIGURE 2: HARDWARE LOCATION REFERENCE ON K-1100 SERIES LIFTS

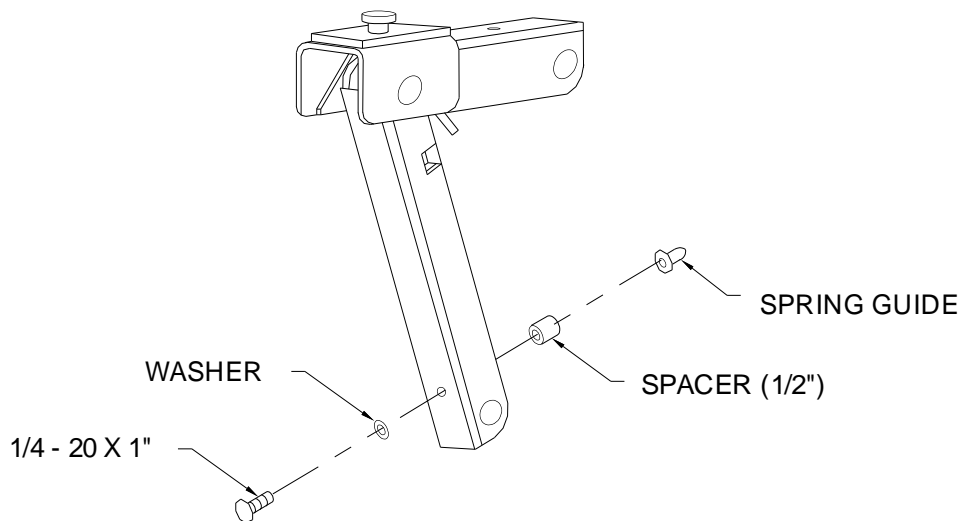


FIGURE 3: LOWER KNUCKLE LINK HARDWARE INSTALLATION

IV. K-1200, K-2000, K-5000

A. PREPARATION

If the K-Series lift in your possession has these holes pre-drilled at assembly go to step B, if not continue with this operation.

1. Drill Mounting Holes:
 - a. Fold lift
 - b. **Refer to Figure 4.** Locate mounting hole locations on vertical arms.
 - c. Spot these locations with center punch and drill through each vertical arm.
 - d. **Refer to Figure 2.** Once through vertical arm, carefully align drill bit as square as possible with vertical arm surface and drill through lower knuckle link.
 - e. Remove all burrs before proceeding.

NOTE: Location of hole on vertical arm is important, and should not vary vertically more than +/- 1/32".

B. INSTALLATION OF THE SPRING AND SPRING GUIDE

1. Install spring, spacers and spring guide as in **Figure 1** and **Figure 3**.
2. Be sure lift closes normally after installation is completed. Spring guide must engage spring to assure proper operation.

NOTE: Some spring bases may not be perfectly square. If so, install spring so that it points upward.

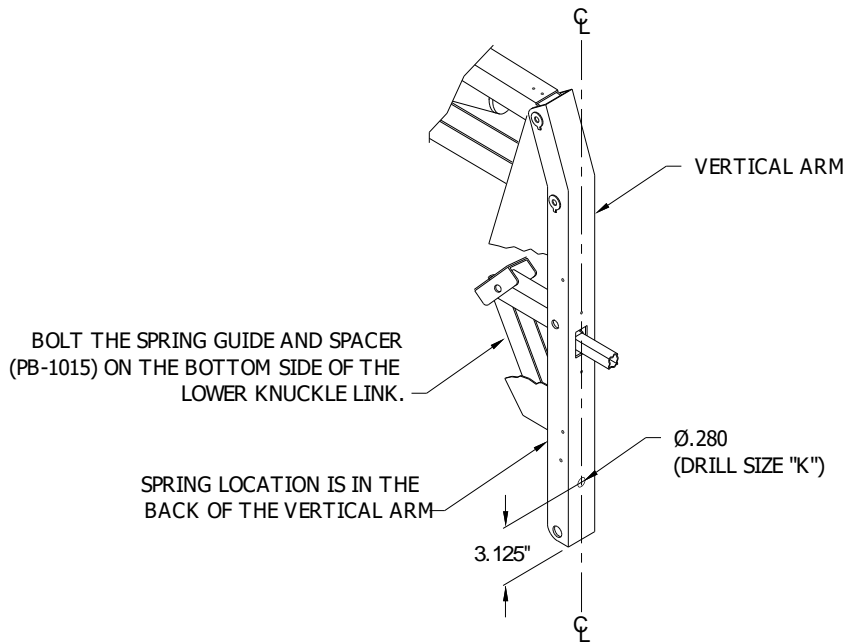


FIGURE 4: HARDWARE LOCATIONS ON K-1200, K-2000, AND K-5000 SERIES LIFTS